

HOLOGIC, INC.

FINAL E-SCAN ROOM PLANS TYPICAL HOSPITAL CITY, ST

DRAWING LEGEND

SHEET	DESCRIPTION
1.0	COVER / TITLE
2.0	FINAL ROOM SITE PLAN
3.0	SPECIFICATIONS, REQUIREMENTS
4.0	GENERAL NOTES

HOLOGIC Hologic, Inc., 35 Crosby Drive, Bedford, MA 01730		PROPOSED	
REV. AUTHORED BY	DATE	DOCUMENT NUMBER	REV.
REV. DRAFTED BY	DATE		0.1
REV. RELEASE DATE		SIZE	B ARCH

THIS DOCUMENT CONTAINS PROPRIETARY DATA OF HOLOGIC, INC. AND SHALL NOT BE USED FOR PURPOSES OTHER THAN THOSE AGREED UPON BETWEEN HOLOGIC AND ITS CUSTOMER. THIS DRAWING IS NOT TO BE USED FOR CONSTRUCTION PURPOSES.

TYPICAL HOSPITAL
FINAL ROOM PLAN
CITY, ST
THESE DRAWINGS ARE FOR
REVIEWING PURPOSES ONLY

DATE: 04-27-07	SCALE: 3/8" = 1'-0"	DRAWN BY: TOZ	PURCHASE ORDER:
PROJECT NO: 27***F		SHEET NO: 1.0	

EQUIPMENT LEGEND

N/A = NOT AVAILABLE

ITEM	DESCRIPTION	BTU/HR	WT/LBS	WIDTH	DEPTH	HEIGHT
1	E-SCAN MAGNET AND PATIENT TABLE	1,364 400W	4,620 2,100kg	49.2" 125cm	98.4" 250cm	61.5" 157cm
2	E-SCAN OPERATOR CONSOLE (W/ PC, MONITOR)		132 60kg	43.3" 110cm	35.4" 90cm	31.5" 80cm
3	E-SCAN ELECTRONIC BOX	N/A	462 210kg	31.2" 80cm	24.9" 64cm	57.8" 147cm
4	E-SCAN PAVILION (RF CAGE)	-	1,100 500kg	157.5" 400cm	143.7" 365cm	92.5" 235cm

ELECTRICAL LEGEND

SYM.	DESCRIPTION
	DEDICATED 110VAC, 20 AMP, GROUNDED DUPLEX OUTLET.
	110/120VAC, 20 AMP DUPLEX OUTLET. (FOR SERVICE/TEST EQUIPMENT).
	WALL OUTLET BOX FOR CAT 5 CABLE. (HOSPITAL NETWORK CONNECTION). RECOMMEND VPN ACCESS FOR REMOTE DIAGNOSTIC SERVICE.
	DEDICATED OUTSIDE PHONE LINE (CUST. TO DETERMINE REQUIREMENT/LOCATION)

SITE CONDITIONS FOR E-SCAN SYSTEM

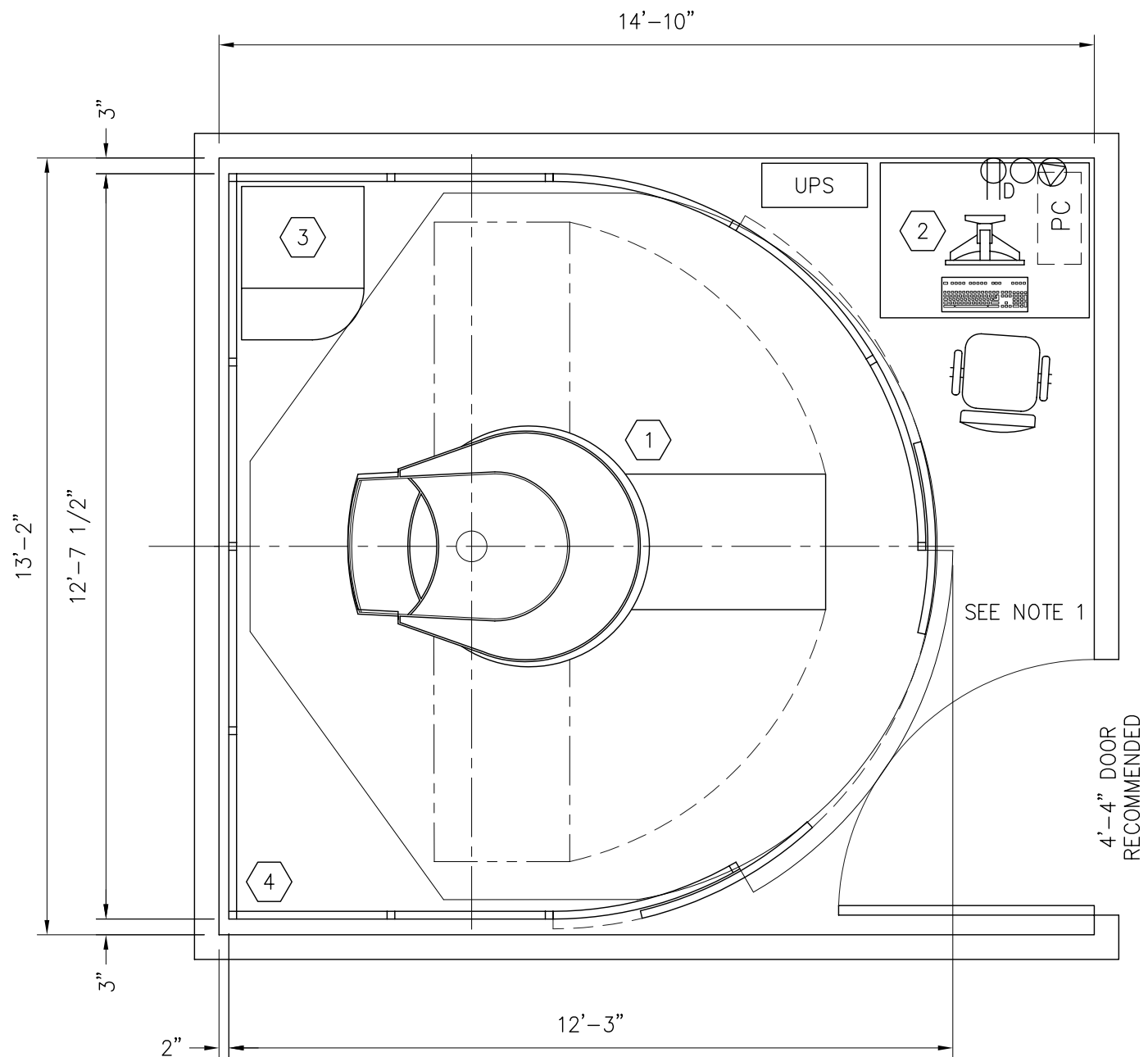
MINIMUM RECOMMENDED ROOM SIZE	13'-2" X 14'-10" INCLUDING RF CAGE
MINIMUM CEILING HEIGHT	7'-10 1/2" A.F.F.
RECOMMENDED CEILING HEIGHT	8'-0" A.F.F.

AMBIENT ROOM CONDITIONS

OPERATING TEMPERATURE RANGE (MAINTAIN TEMPERATURE RANGE 24 HRS./DAY, 7 DAYS/WK.)	68 - 79° F. (20-26° C.) MAXIMUM ALLOWABLE TEMPERATURE CHANGE OF 5°F/ 3°C PER HOUR.
OPERATING HUMIDITY RANGE	45 - 80% , NON CONDENSING.
MINIMUM PASSAGE	31.5" W/O BRACKET PLATES-34.5" W/O PATIENT TABLE
STANDARD PASSAGE	51 1/2"

NOTE: THE EQUIPMENT LAYOUT, ROOM DIMENSIONS, ELECTRICAL AND MECHANICAL DETAILS, ARE BASED ON THE BEST INFORMATION AVAILABLE FROM THE SITE, IN ADDITION TO THE CUSTOMER'S KNOWN REQUIREMENTS. ARCHITECTURAL OR ELECTRICAL CHANGES, INCLUDING RELOCATION OF EQUIPMENT ILLUSTRATED IN THIS DRAWING, ARE ALLOWED ONLY WITH NOTIFICATION IN WRITING, AND REVIEW BY HOLOGIC SERVICE DEPT.. HOLOGIC RESERVES THE RIGHT TO MAKE CHANGES BASED ON THE CUSTOMER'S WISHES, OR PROBLEMS WITH CONSTRUCTION, ETC.

NOTE 1: HOLOGIC RECOMMENDS REMOTE ACCESS VIA VPN (VIRTUAL PRIVATE NETWORK) TO ACQUISITION WORKSTATION THROUGH FACILITY NETWORK FOR REMOTE DIAGNOSTIC SUPPORT. CONSULT WITH HOLOGIC CONNECTIVITY SPECIALIST REGARDING REQUIREMENTS.



E-SCAN EQUIPMENT PLAN
MINIMUM RECOMMENDED ROOM SIZE

HOLOGIC		PROPOSED	
REV. AUTHORED BY	DATE	DOCUMENT NUMBER	REV.
REV. DRAFTED BY	DATE		0.1
REV. RELEASE DATE		SIZE	B ARCH

THIS DOCUMENT CONTAINS PROPRIETARY DATA OF HOLOGIC, INC. AND SHALL NOT BE USED FOR PURPOSES OTHER THAN THOSE AGREED UPON BETWEEN HOLOGIC AND ITS CUSTOMER. THIS DRAWING IS NOT TO BE USED FOR CONSTRUCTION PURPOSES.

TYPICAL HOSPITAL
FINAL ROOM PLAN
CITY, ST
THESE DRAWINGS ARE FOR
REVIEWING PURPOSES ONLY

DATE:	04-27-07
SCALE:	3/8" = 1'-0"
DRAWN BY:	TOZ
PURCHASE ORDER:	
PROJECT NO:	27***F
SHEET NO:	2.0

ELECTRICAL USE REQUIREMENTS

REQUIREMENT

INPUT LINE VOLTAGE	DEDICATED 110VAC, GROUNDED OUTLET
INPUT CURRENT	20 AMP
FREQUENCY	60 HZ ± 10%
NUMBER OF PHASES	SINGLE

STRUCTURAL REQUIREMENTS

TOTAL FLOOR LOAD	6,860 LB/ 3,112 KG
------------------	--------------------

FLOOR LEVELING REQUIREMENT	3/16" OVER 10' / 5MM OVER 3M
----------------------------	------------------------------

BUILDING VIBRATION REQUIREMENT	a max -70dB(g)
--------------------------------	----------------

MAXIMUM RF NOISE

40 DB uV/M	
------------	--

MAXIMUM VALUES WITHOUT ADDITIONAL COMPENSATION

DC (< 5 HZ)	30 NT PKPK (0.3 MG)
-------------	---------------------

AC (16-20 HZ)	6 NT PKPK (0.06 MG)
---------------	---------------------

AC (50-60 HZ)	20 NT PKPK (0.2 MG)
---------------	---------------------

MAXIMUM VALUES WITH COMPENSATION

DC (< 5 HZ)	3000 NT PKPK (30 MG)
-------------	----------------------

AC (16-20 HZ)	600 NT PKPK (6 MG)
---------------	--------------------

AC (50-60 HZ)	1000 NT PKPK (10 MG)
---------------	----------------------

NETWORKING NOTES: SUPPLYING AND INSTALLING NETWORK CONNECTIONS BETWEEN DIAGNOSTIC IMAGING EQUIPMENT AND OTHER NODE CONNECTIONS SHALL BE THE CUSTOMER'S RESPONSIBILITY. CUSTOMER MUST SPECIFY, SUPPLY AND INSTALL PROPER RECEPTACLES, AUI TRANSCEIVERS, CABLING, REPEATERS, ROUTERS, MODEMS, ETC. WHICH ARE CONSISTENT WITH THE SITE NEEDS AND SOUND NETWORK IMPLEMENTATION PRACTICES. ALSO INCLUDED, BUT NOT LIMITED TO, THE CUSTOMER'S RESPONSIBILITY IS THE PURCHASE AND INSTALLATION OF CONDUITS AND / OR RACEWAYS FOR CONTAINMENT AND ROUTING OF NETWORKING CABLES, AS DETERMINED BY SITE CONDITIONS OR REQUIRED BY PREVAILING CODES.

COMPONENT SPECIFICATIONS / FEATURES

POWER SUPPLY CABLE	1.5MM SQ DIA/ .08" DIA. / 32' LENGTH
MODEM CABLE	7' LENGTH
MAX. CABLE LENGTH	32' - ANALOG / 131' - DIGITAL / 328' - OPTICAL
MAGNET TO ELEC. BOX DISTANCE	59" MAXIMUM
PC UNIT TO ELEC. BOX DISTANCE	16' STANDARD CABLES / 57' - SPECIAL ORDER

FRINGE FIELD

FRINGE FIELD DISTANCE FROM THE MAGNETIC CENTER IN THE DIRECTION OF:

GAUSS	mTESLA	X AXIS	Y AXIS	Z AXIS
30	3	19.7"	23.6"	23.6"
10	1	31.5"	39.4"	31.5"
5	0.5	47.2"	43.3"	47.2"
1	0.1	90.5"	66.9"	70.9"

TRANSPORT AND STORAGE ENVIRONMENTAL REQUIREMENTS

TEMPERATURE RANGE	23° F MINIMUM, 122° F MAXIMUM
HUMIDITY RANGE	10 - 95%
PRESSURE RANGE	500 hPA MINIMUM, 1060 hPA MAXIMUM
MAXIMUM TILT	10%

SUPPLEMENTAL NOTES

ALL ITEMS LISTED BELOW ARE TO BE PROVIDED / DESIGNED BY THE ARCHITECT. THE ARCHITECT SHALL CONSULT WITH THE CUSTOMER FOR ANY ADDITIONAL INFORMATION.

- RECOMMEND LOW VOLTAGE INCANDESCENT LIGHT FIXTURES. INCANDESCENT FIXTURES ARE TO BE DISTRIBUTED AROUND THE ROOM. INCANDESCENT FIXTURES SHOULD NOT BE PROVIDED WITH DIMMER CONTROLS.
- IT IS RECOMMENDED THAT ALL DIAGNOSTIC ROOMS SHOULD HAVE TILE OR VINYL FLOORING.
- A TILE DROP CEILING IS RECOMMENDED FOR ANY DIAGNOSTIC ROOMS.
- ALL CABINETRY WORK IS TO BE DESIGNED AND PROVIDED BY THE ARCHITECT. RECOMMEND ALL COUNTERS HAVE ROUNDED CORNERS.

HOLOGIC Hologic, Inc., 35 Crosby Drive, Bedford, MA 01750	REV. AUTHORED BY	DATE	DOCUMENT NUMBER	REV.
	REV. DRAFTED BY	DATE		0.1
	REV. RELEASE DATE		SIZE	B ARCH

THIS DOCUMENT CONTAINS PROPRIETARY DATA OF HOLOGIC, INC. AND SHALL NOT BE USED FOR PURPOSES OTHER THAN THOSE AGREED UPON BETWEEN HOLOGIC AND ITS CUSTOMER. THIS DRAWING IS NOT TO BE USED FOR CONSTRUCTION PURPOSES.

TYPICAL HOSPITAL
FINAL ROOM PLAN
CITY, ST
THESE DRAWINGS ARE FOR
REVIEWING PURPOSES ONLY

DATE:	04-27-07
SCALE:	3/8" = 1'-0"
DRAWN BY:	TOZ
PURCHASE ORDER:	

PROJECT NO:
27***F

SHEET NO:
3.0

GENERAL NOTES

THE DRAWINGS AND SPECIFICATIONS CONTAINED IN THIS PACKAGE ARE DESIGNED TO CONFORM TO STRUCTURAL FEATURES AND EQUIPMENT REQUIREMENTS PRESENTED AT THE TIME OF THEIR PREPARATION. HOWEVER, SINCE THESE FACTORS ARE SUBJECT TO DESIGN MODIFICATIONS, THE DRAWINGS ARE NOT TO BE USED AS CONSTRUCTION DOCUMENTS. CONSTRUCTION PLANS ARE THE RESPONSIBILITY OF THE CUSTOMER'S ARCHITECT OR ENGINEER, WHO SHALL SEE THAT ALL APPLICABLE CODES AND REGULATIONS ARE COMPLIED WITH. ANY CHANGES MUST BE BROUGHT TO THE ATTENTION OF THE HOLOGIC PLANNING OFFICE OR THE OFFICE OF THE MANUFACTURER'S REPRESENTATIVE SUPERVISING THE PRE-INSTALLATION WORK SITE. ALL FINAL DRAWINGS MUST BE SUBMITTED TO HOLOGIC FOR REVIEW.

ALL DIMENSIONS ARE GIVEN FROM FINISHED SURFACES. WHERE DIMENSIONS ARE NOT GIVEN, FIELD MEASUREMENTS SHOULD BE TAKEN. ALL EXISTING CONDITIONS ARE TO BE VERIFIED BY THE CUSTOMER'S CONTRACTOR, AND ANY DISCREPANCIES SHOULD BE BROUGHT TO THE ATTENTION OF THE HOLOGIC PLANNING OFFICE.

EQUIPMENT PURCHASER SHALL, AT HIS EXPENSE, PROVIDE THE NECESSARY LABOR AND MATERIAL FOR ANY PLUMBING, CARPENTRY, STRUCTURAL AND ELECTRICAL WORK SUCH AS REINFORCEMENT, CONDUITS, WIREWAYS, SWITCHES, ETC., WHICH MAY BE REQUIRED FOR THE INSTALLATION OF MRI EQUIPMENT. HOLOGIC ASSUMES NO RESPONSIBILITY FOR ANY CONSTRUCTION COSTS WHETHER OR NOT RELATED TO THE INSTALLATION OF OUR EQUIPMENT. NO WORK MAY BE PERFORMED OR MATERIALS FURNISHED AT OUR EXPENSE, UNLESS AUTHORIZED BY A SIGNED, FORMAL HOLOGIC PURCHASE ORDER

THE CUSTOMER'S ARCHITECT SHALL VERIFY THAT ALL DOOR AND PASSAGE SIZES ARE ADEQUATE FOR DELIVERY OF EQUIPMENT FROM EXTERIOR, INTO THE ROOM. IF PROFESSIONAL RIGGING SERVICES ARE REQUIRED, THESE SHALL BE PROVIDED AT THE CUSTOMER'S EXPENSE.

ALL NEW FINISHED FLOOR SURFACES SHOULD BE LEVEL. THE FLOOR AREA UNDER THE EQUIPMENT BASES, EXTENDING 3'-0" IN ALL DIRECTIONS AROUND EQUIPMENT BASE, AND/OR RF CAGE MUST BE LEVELLED, USING A CARPENTER'S LEVEL OF APPROPRIATE LENGTH, TO WITHIN 1/16".

THE CUSTOMER'S CONTRACTOR SHALL OBTAIN ALL PERMITS NECESSARY FOR CONSTRUCTION.

THE DELIVERY AND INSTALLATION OF MRI EQUIPMENT, SHALL NOT COMMENCE UNTIL HOLOGIC HAS RECEIVED NOTIFICATION BY THE CUSTOMER OR THEIR ARCHITECT, THAT THE CONSTRUCTION PHASE HAS BEEN COMPLETED, AND THE ENVIRONMENT IS CLEAN AND DUST FREE.



ALL BUILDING UTILITIES SERVICING THE SITE SHALL BE OPERATIONAL.

THE CUSTOMER AND A HOLOGIC REPRESENTATIVE SHALL INSPECT AND ACCEPT THE ROOM BEFORE WORK BEGINS ON THE INSTALLATION OF EQUIPMENT. IF ROOM PREPARATION IS INCOMPLETE OR INCORRECT, THE CUSTOMER'S CONTRACTOR IS RESPONSIBLE FOR THE COST OF CORRECTING ANY PROBLEMS.

AS THIS DRAWING CONTAINS CONFIDENTIAL AND PROPRIETARY INFORMATION, THE CUSTOMER, IN ACCEPTING THIS DRAWING, AGREES NOT TO REPRODUCE, OR DISTRIBUTE IT TO OTHERS, OR TO USE THE INFORMATION CONTAINED THEREIN, IN ANY MANNER DETRIMENTAL TO HOLOGIC SYSTEMS DIVISION.

ARCHITECTURAL NOTES

1. THIS SET OF DRAWINGS ARE FOR THE PURPOSE OF A LAYOUT PLAN ONLY – NOT FOR CONSTRUCTION. THESE DRAWINGS ARE FOR THE BENEFIT OF PURCHASER'S ARCHITECT OF CHOICE. THE ARCHITECT AND BUILDING CONTRACTORS SHALL CONVERT THIS LAYOUT INTO WORKING AND CONSTRUCTION DRAWINGS OBSERVING ALL PREVAILING CODES. THESE DRAWINGS ARE INTENDED TO PROVIDE THE CONSTRUCTION PARTICIPANTS WITH SPECIFICATION AND CONCEPTUAL INFORMATION ONLY. EVERY EFFORT HAS BEEN MADE TO CONFORM DETAILS TO THE ACTUAL EQUIPMENT EXPECTED TO BE INSTALLED. THIS FLOOR PLAN WAS SCALED FROM PRINTS DRAWN BY OTHERS. ALL CONSTRUCTION PARTICIPANTS SHALL VERIFY AND ADJUST DIMENSIONS. CRITICAL DIMENSIONAL RELATIONSHIPS HAVE BEEN SUPPLIED. IT IS THE RESPONSIBILITY OF ALL CONSTRUCTION PARTICIPANTS TO ADHERE TO THESE DISTANCES. ALL DIMENSIONS ARE FROM FINISHED SURFACES UNLESS OTHERWISE NOTED. ARCHITECT SHALL VERIFY THAT ALL DOOR AND PASSAGEWAY SIZES ARE ADEQUATE FOR TRANSPORTING EQUIPMENT FROM EXTERIOR OF BUILDING INTO RESPECTIVE ROOMS. RECOMMEND COVERING OR REMOVING THRESHOLDS. THE EQUIPMENT REPRESENTATIVES OR THEIR DESIGNER ARE NOT RESPONSIBLE OR LIABLE FOR ANY ERRORS OR OMISSIONS. THOSE MAKING USE OF OR RELYING ON THIS MATERIAL ASSUMES ALL RISKS AND LIABILITY ARISING FROM SUCH USE OR RELIANCE. ALL CONSTRUCTION SHALL COMPLY WITH BUILDING CODES AND REGULATIONS THAT HAVE JURISDICTION.
2. ALL SUPPLY DIFFUSERS SHALL NOT CAUSE DIRECT AIR CURRENTS ON PATIENT, MAGNET, OR OPERATOR. RECOMMEND 2' x 4' LAY-IN CEILING PANELS OF MATERIAL ACCEPTABLE TO CUSTOMER AND APPROVED BY PREVAILING CODES. LIGHTING FIXTURES, VENTS, ETC. TO BE FLUSH WITH FINISHED CEILING. DIMMERS SHOULD NOT BE USED TO CONTROL LIGHT LEVELS.
3. ARCHITECT AND ENGINEERS SHALL USE EXISTING ELECTRICAL AND STRUCTURAL ITEMS WHEN FEASIBLE.
4. ALL WORK EXCEPT INSTALLATION OF DIAGNOSTIC IMAGING EQUIPMENT IS TO BE DONE BY OTHERS THAN THE EQUIPMENT REPRESENTATIVES.
5. SOME CONVENIENCES MAY BE REQUIRED BY CODE OR DESIRED BY CUSTOMER IN EACH RESPECTIVE ROOM (i.e., CASSETTE STORAGE, ILLUMINATORS, CABINETS, SINKS AND COUNTER SPACE). PLEASE CONSULT WITH CUSTOMER WITH REGARDS TO DESIRED CONVENIENCES.
6. ELECTRICAL POWER AND GROUNDING FOR MRI SYSTEM MUST CONFORM TO THE CURRENT REQUIREMENTS FOR ELECTRICALLY SUSCEPTIBLE PATIENT AREAS.
7. NO ATTENTION HAS BEEN GIVEN TO SPECIFIC PLUMBING OR HVAC CONSIDERATIONS AFFECTED BY THE SCOPE OF THIS WORK. ENGINEERING DRAWINGS TO BE DONE BY OTHERS. ELECTRICAL AND MECHANICAL DESIGNERS SHALL BE REQUIRED TO REVIEW THESE DRAWINGS TO HELP THEM GAIN AN UNDERSTANDING OF THE CONCEPT OF THIS WORK AND TO HELP MINIMIZE CONFLICTING CONSTRUCTION EFFORTS. NO ATTENTION HAS BEEN GIVEN TO SPECIFIC BUILDING STRUCTURAL INTEGRITY. A PROFESSIONAL STRUCTURAL ENGINEER SHALL INSPECT FIELD CONDITIONS TO ENSURE THAT THE FACILITY SUPPORT STRUCTURE (e.g. WALLS, FLOORS, CEILINGS) CAN PROVIDE ADEQUATE SUPPORT FOR THE DIAGNOSTIC IMAGING EQUIPMENT DESCRIBED IN THE EQUIPMENT SCHEDULE. NO ATTENTION HAS BEEN GIVEN TO SPECIFIC SEISMIC ANCHORAGE CONSIDERATIONS AFFECTED BY THE SCOPE OF THIS WORK. ALL EXPENSES ASSOCIATED WITH SEISMIC TESTING AND COMPLIANCE SHALL BE THE RESPONSIBILITY OF THE CUSTOMER (END USER) OR THEIR RESPECTIVE CONTRACTORS OF CHOICE. IT IS STRONGLY RECOMMENDED THAT THE CUSTOMER CONSULTS WITH A PROFESSIONAL STRUCTURAL ENGINEER FAMILIAR WITH ALL PREVAILING SEISMIC REQUIREMENTS. ENGINEERING DRAWINGS BY OTHERS.
8. THE EQUIPMENT REPRESENTATIVES PRIOR TO CHANGES MUST APPROVE DEVIATION FROM THESE PLANS IN WRITING.

 Hologic, Inc. 35 Crosby Drive Bedford, MA 01730	 PROPOSED	REV. O.1
	REV. AUTHORED BY	DOCUMENT NUMBER
	REV. DRAFTED BY	DATE
REV. RELEASE DATE	DATE	SIZE B ARCH

THIS DOCUMENT CONTAINS PROPRIETARY DATA OF HOLOGIC, INC. AND SHALL NOT BE USED FOR PURPOSES OTHER THAN THOSE AGREED UPON BETWEEN HOLOGIC AND ITS CUSTOMER. THIS DRAWING IS NOT TO BE USED FOR CONSTRUCTION PURPOSES.

TYPICAL HOSPITAL
FINAL ROOM PLAN

CITY, ST
THESE DRAWINGS ARE FOR
REVIEWING PURPOSES ONLY

DATE: 04-27-07	SCALE: 3/8" = 1'-0"	DRAWN BY: TOZ	PURCHASE ORDER:
PROJECT NO: 27***F			
SHEET NO: 4.0			