

Setup Guide

eviva[®]

Stereotactic Guided Breast Biopsy System

GE Senographe DS[®] Stereotaxy and
GE Senographe[®] Essential Stereotaxy
Systems

CE 0086



MediMark[®] Europe, BP 2332
F-38033 Grenoble Cedex 2, France

PLEASE READ PRIOR TO PERFORMING PROCEDURE:

This setup guide is designed to be used in conjunction with, not replace, the Eviva® breast biopsy device instructions for use and/or the GE Senographe® Essential stereotaxy operator manual and/or the GE Senographe DS® stereotaxy operator manual. Prior to performing the procedure, the physician must review and be familiar with the full operating instructions for the Eviva breast biopsy device and GE system(s). Consult the Eviva breast biopsy device instructions for use, the GE Senographe Essential stereotaxy operator manual or the GE Senographe DS stereotaxy operator manual for full operational instructions, as well as any contraindications and safety information. Verification testing was conducted to ensure accuracy of the Eviva biopsy device on the GE Senographe DS Stereotaxy system and the GE Senographe Essential stereotaxy system. However, the setup numbers provided herein are for guidance purposes only. The setup numbers must be verified onsite with the corresponding Eviva biopsy device prior to performing any procedure.

Please retain this setup guide. Note that while Hologic frequently updates the contents of this guide, medical information and technology can change rapidly. Therefore some of the information in this guide may be out of date. Use of these instructions with any product other than those specifically noted may result in injury to the patient and/or damage to the equipment.

Table of Contents

Setup of GE Senographe® <u>Essential</u> Stereotaxy for Eviva® Biopsy Device with <u>Vertical</u> Approach	Page 3
Performing a Stereotactic Biopsy Using the Eviva Biopsy Device on the GE Senographe <u>Essential</u> Stereotaxy System with <u>Vertical</u> Approach	Page 4
Setup of GE Senographe <u>Essential</u> Stereotaxy for the Eviva Biopsy Device with <u>Lateral Arm</u> Approach	Page 5
Performing a Stereotactic Biopsy Using the Eviva Biopsy Device on the GE Senographe <u>Essential</u> Stereotaxy System with <u>Lateral Arm</u> Approach	Page 6
Setup of GE Senographe <u>DS</u> Stereotaxy for Eviva Biopsy Device with <u>Vertical</u> Approach	Page 7
Performing a Stereotactic Biopsy Using the Eviva Biopsy Device on the GE Senographe <u>DS</u> Stereotaxy System with <u>Vertical</u> Approach	Page 8
Setup of GE Senographe <u>DS</u> Stereotaxy for Eviva Biopsy Device with <u>Lateral Arm</u> Approach	Page 9
Performing a Stereotactic Biopsy Using the Eviva Biopsy Device on the GE Senographe <u>DS</u> Stereotaxy System with <u>Lateral Arm</u> Approach	Page 10
Cleaning Instructions for Eviva Adapter, Eviva Adapter for GE Eviva Stylet Bracket and Eviva Bushing for GE	Page 11

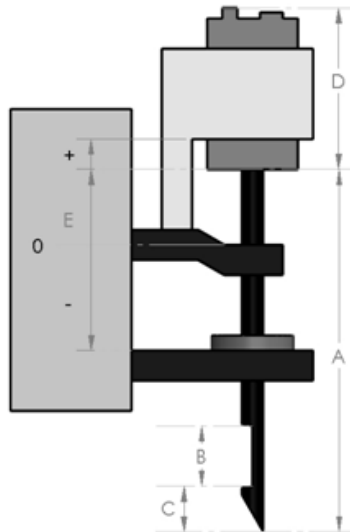
Setup of GE Senographe® Essential Stereotaxy for Eviva® Biopsy Device with Vertical Approach

Program the GE Senographe Essential stereotaxy system for Eviva biopsy device according to the needle setup instructions provided in the GE Senographe Essential stereotaxy operator manual, in conjunction with the steps below.

When “Creating” needles, select “**VAD with needle holder**” for type of needle. Use the dimensions provided in the table below. The diagram below the table shows a schematic of the dimensions.

NOTE: Do not select “CB” because this will cause the needle to move to an incorrect depth

	Eviva 0910-20 Eviva 1210-20	Eviva 0910-12	Eviva 0910-12T
Recommended Name in Software	Eviva XX10-20ver	Eviva 0910-12ver	Eviva 0910-12Tver
A (mm)	101.0	97.2	101.0
B (mm)	20	12	12
C (mm)	8	4	8
D (mm)	260	260	260
E (mm)	-16.4	-16.4	-16.4
All values entered above must be verified with the appropriate Eviva biopsy device and applicable test to ensure the target is near the center of the biopsy device aperture.			



Performing a Stereotactic Biopsy Using the Eviva Biopsy Device on the GE Senographe Essential Stereotaxy System with Vertical Approach

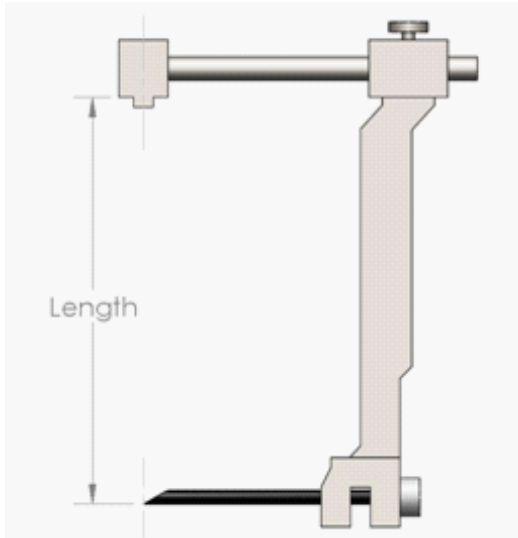
1. Setup GE Senographe Essential stereotaxy system for vertical approach using appropriate bracket(s). Refer to GE Senographe Essential stereotaxy system operator manual for setup instructions
2. Install the *Eviva Adapter for GE* onto the GE Senographe Essential stereotaxy system.
3. Install the *Eviva Bushing for GE* into the lower needle guide holder of the GE Senographe Essential stereotaxy system.
4. Install the appropriate disposable needle guide, *Eviva_NG09R* or *Eviva_NG12R*, into the *Eviva Bushing for GE*.
5. Ensure the proper Eviva biopsy device is selected in the GE Senographe Essential stereotaxy software prior to sending the target to the stereotactic system. The selected Eviva biopsy device should match the biopsy device that is being used in the procedure.
6. Perform the biopsy procedure per the Eviva breast biopsy device instructions for use.
7. Clean the *Eviva Adapter for GE* and *Eviva Bushing for GE* per the cleaning instructions found on page 11 of this document.

Setup of GE Senographe Essential Stereotaxy for Eviva Biopsy Device with Lateral Arm Approach

Program the GE Senographe Essential stereotaxy system for a lateral needle according to the instructions provided in the GE Senographe Essential stereotaxy operator manual, in conjunction with steps below.

- a. When "Creating" needles, select "LAT" for type of needle. The recommended name for the needle is ATEC-EvivaLAT.
- b. For (A) *Length* enter **107.8** mm to create the needle. The diagram below shows a schematic of the dimension.

NOTE: This length ensures that the needle will be aligned with the needle guide. This length is common for all Eviva and ATEC devices. No information about the length of the needle, notch (aperture) or end (dead space) is entered into the system; therefore, only one needle needs to be programmed for all current Eviva and ATEC devices. **This distance does not control the insertion depth of the needle into the breast.** The insertion depth will be controlled by advancing the biopsy device to the recommended position in the table on page 6.



All values entered above must be verified with the appropriate Eviva biopsy device and applicable test to ensure the target is near the center of the biopsy device aperture. The Eviva biopsy device must be advanced to the proper device position on the lateral adapter bar. See the table on page 6

Performing a Stereotactic Biopsy Using the Eviva Biopsy Device on the GE Senographe Essential Stereotaxy System with Lateral Arm Approach

1. Setup GE Senographe Essential stereotaxy system for lateral approach using appropriate bracket(s). Refer to GE Senographe Essential stereotaxy operator manual for setup instructions.
2. Install the *Eviva Adapter* onto the GE Senographe Essential stereotaxy system.
3. Install the appropriate disposable needle guide, *Eviva_NG09R* or *Eviva_NG12R*, into the GE Senographe Essential lateral arm.
4. Ensure the proper Eviva needle is selected (**ATEC-EvivaLAT**) in the GE Senographe Essential stereotaxy software prior to sending the target to the stereotactic system.
5. Advance the Eviva biopsy device to the proper position on the lateral adapter bar. See the table below for this position.
6. Perform the biopsy procedure per the Eviva breast biopsy device instructions for use.
7. Clean the *Eviva Adapter* per the cleaning instructions found on page 11 of this document.

	Eviva 0913-20 Eviva 1213-20	Eviva 0913-12	Eviva 0913-12T
Proper Device Position on the Lateral Adapter Bar (mm)	68	72	72
All values entered above must be verified with the appropriate Eviva biopsy device and applicable test to ensure the target is near the center of the biopsy device aperture. The Eviva biopsy device must be advanced to the proper device position on the lateral adapter bar. See above chart.			

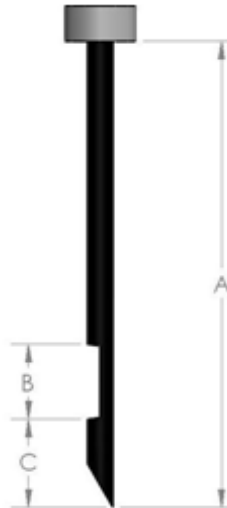
Setup of GE Senographe DS Stereotaxy for Eviva Biopsy Device with Vertical Approach

Program the GE Senographe DS Stereotaxy system for the Eviva biopsy device according to the needle setup instructions provided in the GE Senographe DS stereotaxy operator manual, in conjunction with the step below.

When “Creating” needles, select “**CB**” for type of needle. Use the dimensions provided in the table below. The diagram below the table shows a schematic of the dimensions.

NOTE: For GE Senographe DS stereotaxy systems with updated biopsy needle setup procedures as noted in operator manual 5308544-3-C-1EN or later, please refer to the Setup of GE Senographe Essential Stereotaxy for Eviva Biopsy Device with Vertical Approach sheet on page 3 of this document to complete needle setup instructions.

	Eviva 0910-20 Eviva 1210-20	Eviva 0910-12	Eviva 0910-12T
Recommended Name in Software	Eviva XX10-20ver	Eviva 0910-12ver	Eviva 091012Tver
A (mm)	121.6	117.6	121.6
B (mm)	20	12	12
C (mm)	8	4	8
All values entered above must be verified with the appropriate Eviva biopsy device and applicable test to ensure the target is near the center of the biopsy device aperture.			



Performing a Stereotactic Biopsy Using the Eviva Biopsy Device on the GE Senographe DS Stereotaxy System with Vertical Approach

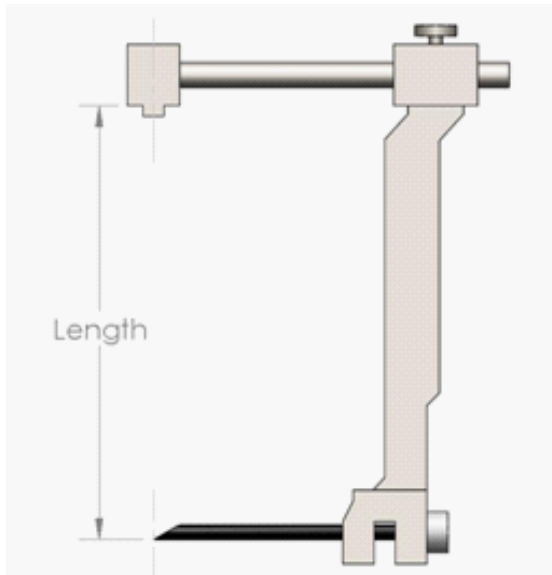
1. Setup GE Senographe DS stereotaxy system for vertical approach using appropriate bracket(s). Refer to GE Senographe DS operator manual for setup instructions.
2. Install the *Eviva Adapter for GE* onto the GE Senographe DS stereotaxy system.
3. Install the *Eviva Bushing for GE* into the lower needle guide holder of the GE Senographe DS stereotaxy system.
4. Install the appropriate disposable needle guide, *Eviva_NG09R* or *Eviva_NG12R*, into the *Eviva Bushing for GE*.
5. Ensure the proper Eviva biopsy device is selected in the GE Senographe DS stereotaxy software prior to sending the target to the stereotactic system. The selected Eviva biopsy device should match the biopsy device that is being used in the procedure.
6. Perform the biopsy procedure per the Eviva breast biopsy device instructions for use.
7. Clean the *Eviva Adapter for GE* and *Eviva Bushing for GE* per the cleaning instructions found on page 11 of this document.

Setup of GE Senographe DS Stereotaxy for Eviva Biopsy Device with Lateral Arm Approach

Program the GE Senographe DS stereotaxy system for a lateral needle according to the instructions provided in the GE Senographe DS stereotaxy operator manual, in conjunction with the steps below.

- a. When "Creating" needles, select "**LAT**" for type of needle. The recommended name for the needle is **ATEC-EvivaLAT**.
- b. For (A) Length enter **107.8** mm to create the needle. The diagram below shows a schematic of the dimension.

NOTE: This length ensures that the needle will be aligned with the needle guide. This length is common for all Eviva and ATEC devices. No information about the length of the needle, notch (aperture) or end (dead space) is entered into the system; therefore, only one needle needs to be programmed for all current Eviva and ATEC devices. **This distance does not control the insertion depth of the needle into the breast.** The insertion depth will be controlled by advancing the biopsy device to the recommended position in the table on page 10.



All values entered above must be verified with the appropriate Eviva biopsy device and applicable test to ensure the target is near the center of the biopsy device aperture. The Eviva biopsy device must be advanced to the proper device position on the lateral adapter bar. See table on page 10.

Performing a Stereotactic Biopsy Using the Eviva Biopsy Device on the GE Senographe DS Stereotaxy System with Lateral Arm Approach

1. Setup GE Senographe DS stereotaxy system for lateral approach using appropriate bracket(s). Refer to GE Senographe DS operator manual for setup instructions.
2. Install the *Eviva Adapter* onto the GE Senographe DS stereotaxy system.
3. Install the appropriate disposable needle guide, *Eviva_NG09R* or *Eviva_NG12R*, into the GE Senographe DS lateral arm.
4. Ensure the proper Eviva biopsy device is selected (**ATEC-EvivaLAT**) in the GE Senographe DS stereotaxy software prior to sending the target to the stereotactic system.
5. Advance the Eviva biopsy device to the proper position on the lateral adapter bar. See the table below for this position.
6. Perform the biopsy procedure per the Eviva breast biopsy device instructions for use.
7. Clean the *Eviva Adapter* per the cleaning instructions found on page 11 of this document.

	Eviva 0913-20 Eviva 1213-20	Eviva 0913-12	Eviva 0913-12T
Proper Device Position on the Lateral Adapter Bar (mm)	68	72	72
All values entered above must be verified with the appropriate Eviva biopsy device and applicable test to ensure the target is near the center of the biopsy device aperture. The Eviva biopsy device must be advanced to the proper device position on the lateral adapter bar. See table above.			

Cleaning Instructions for *Eviva Adapter*, *Eviva Adapter for GE*, *Eviva Stylet Bracket* and *Eviva Bushing for GE*

1. Upon completion of the biopsy procedure, immediately rinse the *Eviva Adapter*, *Eviva Adapter for GE*, and/or the *Eviva Bushing for GE* with warm water.
2. Spray all components with a cleaner

The following cleaning products are NOT RECOMMENDED as they may damage the exposed components:

- Bleach based cleaning agents
 - Hydrogen Peroxide
 - Any cleaners/disinfectants with a pH of less than 4 or greater than 10
3. Allow the necessary time for the chosen cleaner to disinfect the components.
 4. Rinse with warm water.
 5. Wipe dry with cloth or paper towel.

© 2011 Hologic, Inc. All Rights Reserved. Hologic and Eviva are trademarks and/or registered trademarks of Hologic, Inc. and/or its subsidiaries in the United States and/or other countries. All other trademarks, registered trademarks and product names used with this document are the property of their respective owner.

LEA ESTA INFORMACIÓN ANTES DE LLEVAR A CABO LA INTERVENCIÓN:

Esta guía de instalación debe emplearse junto con las instrucciones del dispositivo de biopsias de mama Eviva® (no como sustituto de dicho documento) para el uso del manual del operador del sistema GE Senographe® Essential Stereotaxy y del manual del operador del sistema GE Senographe DS® Stereotaxy. Antes de realizar la intervención, el médico debe conocer y repasar todas las instrucciones operativas del dispositivo de biopsias de mama Eviva y de los sistemas GE. Consulte las instrucciones de uso del dispositivo de biopsias de mama Eviva, el manual del operador del sistema GE Senographe Essential Stereotaxy o el manual del operador del sistema GE Senographe DS Stereotaxy para obtener instrucciones de funcionamiento completas e información relativa a las contraindicaciones y la seguridad. Se han realizado pruebas de verificación para garantizar la precisión del dispositivo de biopsias Eviva en los sistemas GE Senographe DS Stereotaxy y GE Senographe Essential Stereotaxy. Sin embargo, los pasos de instalación enumerados en el presente documento deben tenerse en cuenta únicamente como guía. Los pasos de instalación enumerados deben comprobarse in situ con el dispositivo de biopsias Eviva correspondiente antes de llevar a cabo la intervención.

Conserve esta guía de instalación. Tenga en cuenta que debido a que Hologic actualiza con frecuencia el contenido de esta guía, la información médica y tecnológica puede cambiar rápidamente. En consecuencia, es posible que parte de la información de esta guía esté desactualizada. El uso de esta guía con productos distintos a los especificados puede provocar lesiones al paciente o dañar el equipo.

Contenido

Instalación de estereotaxia GE Senographe® <u>Essential</u> Stereotaxy para dispositivos de biopsias Eviva® con acceso <u>vertical</u>	Página 14
Realización de una biopsia estereotáctica con el dispositivo de biopsias Eviva en el sistema GE Senographe <u>Essential</u> Stereotaxy con acceso <u>vertical</u>	Página 15
Instalación del sistema GE Senographe <u>Essential</u> Stereotaxy para dispositivos de biopsias Eviva con acceso de <u>brazo lateral</u>	Página 16
Realización de una biopsia estereotáctica con el dispositivo de biopsias Eviva en el sistema GE Senographe <u>Essential</u> Stereotaxy con acceso de <u>brazo lateral</u>	Página 17
Instalación del sistema GE Senographe <u>DS</u> Stereotaxy para dispositivos de biopsias Eviva con acceso <u>vertical</u>	Página 18
Realización de una biopsia estereotáctica con el dispositivo de biopsias Eviva en el sistema GE Senographe <u>DS</u> Stereotaxy con acceso <u>vertical</u>	Página 19
Instalación del sistema GE Senographe <u>DS</u> Stereotaxy para dispositivos de biopsias Eviva con acceso de <u>brazo lateral</u>	Página 20
Realización de una biopsia estereotáctica con el dispositivo de biopsias Eviva en el sistema GE Senographe <u>DS</u> Stereotaxy con acceso de <u>brazo lateral</u>	Página 21
Instrucciones para la limpieza de Eviva Adapter, Eviva Adapter for GE, Eviva Stylet Bracket y Eviva Bushing for GE	Página 22

Instalación del sistema GE Senographe® Essential Stereotaxy para dispositivos de biopsias Eviva® con acceso vertical

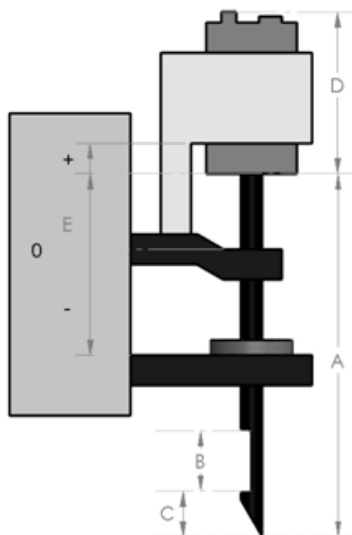
Programa el sistema GE Senographe Essential Stereotaxy para dispositivos de biopsias Eviva de acuerdo con las instrucciones de instalación de la aguja proporcionadas en el manual del operador del sistema GE Senographe Essential Stereotaxy y con los pasos que se muestran a continuación.

Cuando "cree" agujas, seleccione "**BAV con portaagujas**" en el tipo de aguja. Emplee las dimensiones que se muestran en la siguiente tabla. El diagrama que aparece debajo de la tabla representa un boceto de las dimensiones.

NOTA: no seleccione "CB", pues esta opción podría provocar el desplazamiento de la aguja a una profundidad inadecuada.

	Eviva 0910-20 Eviva 1210-20	Eviva 0910-12	Eviva 0910-12T
Nombre recomendado en el software	Eviva XX10-20ver	Eviva 0910-12ver	Eviva 0910-12Tver
A (mm)	101,0	97,2	101,0
B (mm)	20	12	12
C (mm)	8	4	8
D (mm)	260	260	260
E (mm)	-16,4	-16,4	-16,4

Todos los valores que se muestran en la tabla superior deben comprobarse con el dispositivo de biopsias Eviva correspondiente y las pruebas aplicables para garantizar que el objetivo está cerca del centro de la abertura del dispositivo de biopsias.



Realización de una biopsia estereotáctica con el dispositivo de biopsias Eviva en el sistema GE Senographe Essential Stereotaxy con acceso vertical

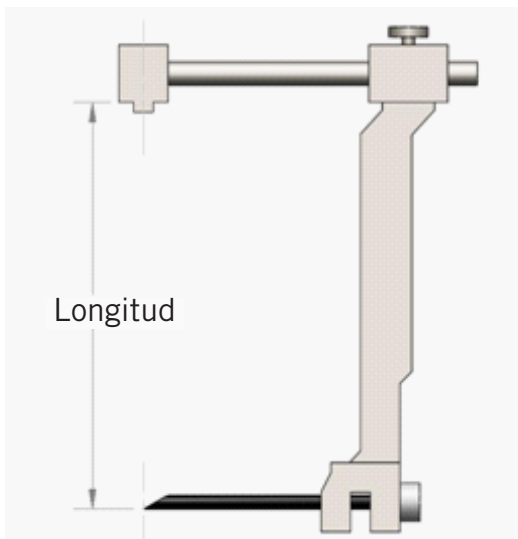
1. Instale el sistema GE Senographe Essential Stereotaxy con acceso vertical mediante soportes adecuados. Consulte el manual del operador del sistema GE Senographe Essential Stereotaxy para obtener instrucciones sobre la instalación.
2. Instale el *Eviva Adapter for GE* en el sistema GE Senographe Essential Stereotaxy.
3. Instale el *Eviva Bushing for GE* en el portaagujas guía inferior del sistema GE Senographe Essential Stereotaxy.
4. Instale la guía de la aguja desechable correspondiente, *Eviva_NG09R* o *Eviva_NG12R*, en el *Eviva Bushing for GE*.
5. Asegúrese de que se ha seleccionado el dispositivo de biopsias Eviva adecuado en el software del sistema GE Senographe Essential Stereotaxy antes de enviar el objetivo al sistema estereotáctico. El dispositivo de biopsias Eviva seleccionado debe coincidir con el dispositivo de biopsias que se está utilizando en la intervención.
6. Realice la intervención para la obtención de la biopsia de acuerdo con las instrucciones de uso del dispositivo de biopsias de mama Eviva.
7. Limpie el *Eviva Adapter for GE* y el *Eviva Bushing for GE* de acuerdo con las instrucciones de limpieza de la página 11 de este documento.

Instalación del sistema GE Senographe Essential Stereotaxy para dispositivos de biopsias Eviva con acceso de brazo lateral

Programe el sistema GE Senographe Essential Stereotaxy para aguja lateral de acuerdo con las instrucciones proporcionadas en el manual del operador del sistema GE Senographe Essential Stereotaxy y con los pasos que se muestran a continuación.

- a. Cuando “cree” agujas, seleccione “LAT” en el tipo de aguja. El nombre recomendado para la aguja es **ATEC-EvivaLAT**.
- b. En la longitud (A) introduzca el valor **107,8** mm para crear la aguja. El diagrama que aparece debajo de la tabla representa un boceto de las dimensiones.

NOTA: esa longitud garantiza que la aguja quedará alineada con la guía de la aguja. Esta es una longitud habitual en todos los dispositivos Eviva y ATEC. En el sistema no se introduce ningún dato sobre la aguja, la perforación (abertura) o el extremo (espacio muerto), por lo que solo debe programarse una aguja para todos los dispositivos actuales Eviva y ATEC. **Esta distancia no controla la profundidad de inserción de la aguja en la mama.** La profundidad de inserción se controlará mediante el avance del dispositivo de biopsias hacia la posición recomendada que se muestra en la tabla de la página 6.



Todos los valores que se muestran anteriormente deben comprobarse con el dispositivo de biopsias Eviva correspondiente y las pruebas aplicables para garantizar que el objetivo está cerca del centro de la abertura de la biopsia. El dispositivo de biopsias Eviva debe hacerse avanzar hasta la posición correcta de la barra lateral del adaptador. Consulte la tabla de la página 6.

Realización de una biopsia estereotáctica con el dispositivo de biopsias Eviva en el sistema GE Senographe Essential Stereotaxy con acceso de brazo lateral

1. Instale el sistema GE Senographe Essential Stereotaxy con acceso lateral mediante soportes adecuados. Consulte el manual del operador del sistema GE Senographe Essential Stereotaxy para obtener instrucciones sobre la instalación.
2. Instale el *Eviva Adapter* en el sistema GE Senographe Essential Stereotaxy.
3. Instale la guía de la aguja desechable correspondiente, *Eviva_NG09R* o *Eviva_NG12R*, en el brazo lateral del sistema GE Senographe Essential.
4. Asegúrese de que se ha seleccionado la aguja Eviva adecuada (**ATEC-EvivaLAT**) en el software del sistema GE Senographe Essential Stereotaxy antes de enviar el objetivo al sistema estereotáctico.
5. Haga avanzar el dispositivo de biopsias Eviva hasta la posición correcta de la barra lateral del adaptador. Consulte la tabla que se muestra a continuación para conocer esta posición.
6. Realice la intervención para la obtención de la biopsia de acuerdo con las instrucciones de uso del dispositivo de biopsias de mama Eviva.
7. Limpie el *Eviva Adapter* de acuerdo con las instrucciones de limpieza de la página 11 de este documento.

	Eviva 0913-20 Eviva 1213-20	Eviva 0913-12	Eviva 0913-12T
Posición correcta del dispositivo en la barra lateral del adaptador (mm).	68	72	72
<p>Todos los valores que se muestran anteriormente deben comprobarse con el dispositivo de biopsias Eviva correspondiente y las pruebas aplicables para garantizar que el objetivo está cerca del centro de la abertura de la biopsia. El dispositivo de biopsias Eviva debe hacerse avanzar hasta la posición correcta de la barra lateral del adaptador. Consulte el cuadro anterior.</p>			

Instalación del sistema GE Senographe DS Stereotaxy para dispositivos de biopsias Eviva con acceso de vertical

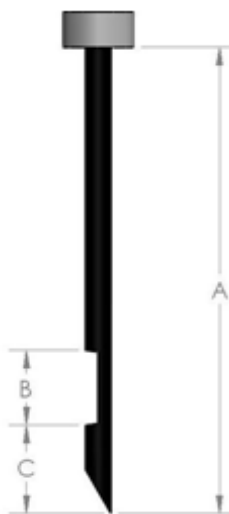
Programa el sistema GE Senographe DS Stereotaxy para el dispositivo de biopsias Eviva de acuerdo con las instrucciones de instalación de la aguja proporcionadas en el manual del operador del sistema GE Senographe DS Stereotaxy y con los pasos que se muestran a continuación.

Cuando “cree” agujas, seleccione “**CB**” en el tipo de aguja. Emplee las dimensiones que se muestran en la siguiente tabla. El diagrama que aparece debajo de la tabla representa un boceto de las dimensiones.

NOTA: para completar las instrucciones de instalación de la aguja en sistemas GE Senographe DS Stereotaxy con intervenciones de instalación de agujas de biopsia actualizada como las descritas en el manual del operador 5308544-3-C-1EN o en versiones posteriores, consulte la hoja Instalación del sistema GE Senographe Essential Stereotaxy para dispositivos de biopsias Eviva con acceso vertical de la página 3 de este documento.

	Eviva 0910-20 Eviva 1210-20	Eviva 0910-12	Eviva 0910-12T
Nombre recomendado en el software	Eviva XX10-20ver	Eviva 0910-12ver	Eviva 091012Tver
A (mm)	121,6	117,6	121,6
B (mm)	20	12	12
C (mm)	8	4	8

Todos los valores que se muestran en la tabla superior deben comprobarse con el dispositivo de biopsias Eviva correspondiente y las pruebas aplicables para garantizar que el objetivo está cerca del centro de la abertura del dispositivo de biopsias.



Realización de una biopsia estereotáctica con el dispositivo de biopsias Eviva en el sistema GE Senographe DS Stereotaxy con acceso vertical

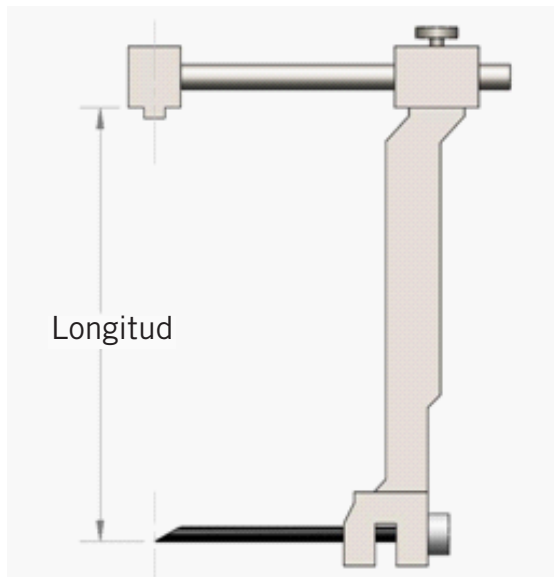
1. Instale el sistema GE Senographe DS Stereotaxy con acceso vertical mediante soportes adecuados. Consulte el manual del operador del sistema GE Senographe DS para obtener instrucciones de instalación.
2. Instale el *Eviva Adapter for GE* en el sistema GE Senographe DS Stereotaxy.
3. Instale el *Eviva Bushing for GE* en el portaagujas guía inferior del sistema GE Senographe DS Stereotaxy.
4. Instale la guía de la aguja desechable correspondiente, *Eviva_NG09R* o *Eviva_NG12R*, en el *Eviva Bushing for GE*.
5. Asegúrese de que se ha seleccionado el dispositivo de biopsias Eviva adecuado en el software del sistema GE Senographe DS Stereotaxy antes de enviar el objetivo al sistema estereotáctico. El dispositivo de biopsias Eviva debe coincidir con el dispositivo de biopsias que se está utilizando en la intervención.
6. Realice la intervención para la obtención de la biopsia de acuerdo con las instrucciones de uso del dispositivo de biopsias de mama Eviva.
7. Limpie el *Eviva Adapter for GE* y el *Eviva Bushing for GE* de acuerdo con las instrucciones de limpieza de la página 11 de este documento.

Instalación del sistema GE Senographe DS Stereotaxy para dispositivos de biopsias Eviva con acceso de brazo lateral

Programa el sistema GE Senographe DS Stereotaxy para aguja lateral de acuerdo con las instrucciones proporcionadas en el manual del operador del sistema GE Senographe DS Stereotaxy y con los pasos que se muestran a continuación.

- a. Cuando “cree” agujas, seleccione “**LAT**” en el tipo de aguja. El nombre recomendado para la aguja es **ATEC-EvivaLAT**.
- b. En la longitud (A) introduzca el valor **107,8** mm para crear la aguja. El diagrama que aparece debajo de la tabla representa un boceto de las dimensiones.

NOTA: esa longitud garantiza que la aguja quedará alineada con la guía de la aguja. Esta es una longitud habitual en todos los dispositivos Eviva y ATEC. En el sistema no se introduce ningún dato sobre la aguja, la perforación (abertura) o el extremo (espacio muerto), por lo que solo debe programarse una aguja para todos los dispositivos actuales Eviva y ATEC. **Esta distancia no controla la profundidad de inserción de la aguja en la mama.** La profundidad de inserción se controlará mediante el avance del dispositivo de biopsias hacia la posición recomendada que se muestra en la tabla de la página 10.



Todos los valores que se muestran anteriormente deben comprobarse con el dispositivo de biopsias Eviva correspondiente y las pruebas aplicables para garantizar que el objetivo está cerca del centro de la abertura de la biopsia. El dispositivo de biopsias Eviva debe hacerse avanzar hasta la posición correcta de la barra lateral del adaptador. Consulte la tabla de la página 10.

Realización de una biopsia estereotáctica con el dispositivo de biopsias Eviva en el sistema GE Senographe DS Stereotaxy con acceso de brazo lateral

1. Instale el sistema GE Senographe DS Stereotaxy con acceso lateral mediante soportes adecuados. Consulte el manual del operador del sistema GE Senographe DS para obtener instrucciones de instalación.
2. Instale el *Eviva Adapter* en el sistema GE Senographe DS Stereotaxy.
3. Instale la guía de la aguja desechable correspondiente, *Eviva_NG09R* o *Eviva_NG12R*, en el brazo lateral del sistema GE Senographe DS.
4. Asegúrese de que se ha seleccionado el dispositivo de biopsias Eviva adecuado (**ATEC-EvivaLAT**) en el software del sistema GE Senographe DS Stereotaxy antes de enviar el objetivo al sistema estereotáctico.
5. Haga avanzar el dispositivo de biopsias Eviva hasta la posición correcta de la barra lateral del adaptador. Consulte la tabla que se muestra a continuación para conocer esta posición.
6. Realice la intervención para la obtención de la biopsia de acuerdo con las instrucciones de uso del dispositivo de biopsias de mama Eviva.
7. Limpie el *Eviva Adapter* de acuerdo con las instrucciones de limpieza de la página 11 de este documento.

	Eviva 0913-20 Eviva 1213-20	Eviva 0913-12	Eviva 0913-12T
Posición correcta del dispositivo en la barra lateral del adaptador (mm).	68	72	72
Todos los valores que se muestran anteriormente deben comprobarse con el dispositivo de biopsias Eviva correspondiente y las pruebas aplicables para garantizar que el objetivo está cerca del centro de la abertura de la biopsia. El dispositivo de biopsias Eviva debe hacerse avanzar hasta la posición correcta de la barra lateral del adaptador. Consulte la tabla anterior.			

Instrucciones para la limpieza de *Eviva Adapter*, el *Eviva Adapter for GE*, el *Eviva Stylet Bracket* y el *Eviva Bushing for GE*

1. Una vez finalizada la intervención para la obtención de biopsia, lave inmediatamente el *Eviva Adapter*, el *Eviva Adapter for GE* y el *Eviva Bushing for GE* con agua caliente.
2. Pulverice todos los componentes con un limpiador.

A continuación se muestran algunos productos de limpieza NO RECOMENDADOS, pues pueden dañar los componentes con los que se utilicen:

- Agente limpiador a base de lejía
 - Peróxido de hidrógeno
 - Cualquier limpiador/desinfectante con un pH inferior a 4 o superior a 10
3. Deje que el limpiador seleccionado actúe durante el tiempo necesario para desinfectar los componentes.
 4. Enjuáguelos con agua caliente.
 5. Séquelos con una toalla de tela o de papel.

© 2011 Hologic, Inc. Reservados todos los derechos. Hologic y Eviva son marcas comerciales o marcas registradas de Hologic, Inc. o sus filiales en los Estados Unidos o en otros países. Cualquier otra marca comercial, marca registrada o nombre de producto mencionados en este documento pertenecen a sus respectivos propietarios.

VEUILLEZ LIRE AVANT D'EFFECTUER LA PROCÉDURE :

Ce guide de configuration est conçu pour être utilisé conjointement avec, et non pour remplacer, les instructions d'utilisation de l'appareil de biopsie mammaire Eviva® et/ou le manuel de stéréotaxie du GE Senographe® Essential et/ou le manuel de stéréotaxie du GE Senographe DS®. Avant d'effectuer la procédure, le médecin doit consulter et connaître les modes d'emploi de l'appareil de biopsie mammaire Eviva et des systèmes de GE. Consultez le mode d'emploi de l'appareil de biopsie mammaire Eviva, le manuel de stéréotaxie du GE Senographe Essential ou le manuel de stéréotaxie du GE Senographe DS pour connaître parfaitement les instructions d'utilisation, ainsi que les contre-indications et les informations de sécurité. Des essais ont été menés pour vérifier la précision de l'appareil de biopsie Eviva sur le système de stéréotaxie GE Senographe DS et le système de stéréotaxie GE Senographe Essential. Toutefois, des valeurs de configuration ne sont fournies dans ce document qu'à titre indicatif. Les valeurs de configuration doivent être vérifiées sur place avec l'appareil de biopsie Eviva correspondant, avant d'effectuer quelque procédure que ce soit.

Veillez conserver ce guide de configuration. Notez que bien qu'Hologic mette fréquemment à jour le contenu de ce guide, les informations médicales et la technologie peuvent changer rapidement. Par conséquent, certaines informations contenues dans ce guide sont susceptibles d'être périmées. L'utilisation de ces instructions avec un produit autre que ceux expressément indiqués risque d'entraîner des dégâts corporels au patient et/ou d'endommager l'équipement.

Table des matières

Configuration du GE Senographe® <u>Essential</u> Stereotaxy pour appareil de biopsie Eviva® avec approche <u>verticale</u>	Page 25
Réalisation d'une biopsie stéréotaxique au moyen de l'appareil de biopsie Eviva sur le système de stéréotaxie GE Senographe <u>Essential</u> avec approche <u>verticale</u>	Page 26
Configuration du GE Senographe <u>Essential</u> Stereotaxy pour appareil de biopsie Eviva avec approche par <u>bras latéral</u>	Page 27
Réalisation d'une biopsie stéréotaxique au moyen de l'appareil de biopsie Eviva sur le système de stéréotaxie GE Senographe <u>Essential</u> avec approche par <u>bras latéral</u>	Page 28
Configuration du GE Senographe <u>DS</u> Stereotaxy pour appareil de biopsie Eviva avec approche <u>verticale</u>	Page 29
Réalisation d'une biopsie stéréotaxique au moyen de l'appareil de biopsie Eviva sur le système de stéréotaxie GE Senographe <u>DS</u> avec approche <u>verticale</u>	Page 30
Configuration du GE Senographe <u>DS</u> Stereotaxy pour appareil de biopsie Eviva avec approche par <u>bras latéral</u>	Page 31
Réalisation d'une biopsie stéréotaxique au moyen de l'appareil de biopsie Eviva sur le système de stéréotaxie GE Senographe <u>DS</u> avec approche par <u>bras latéral</u>	Page 32
Instructions de nettoyage pour Eviva Adapter, Eviva Adapter for GE Eviva Stylet Bracket et Eviva Bushing for GE	Page 33

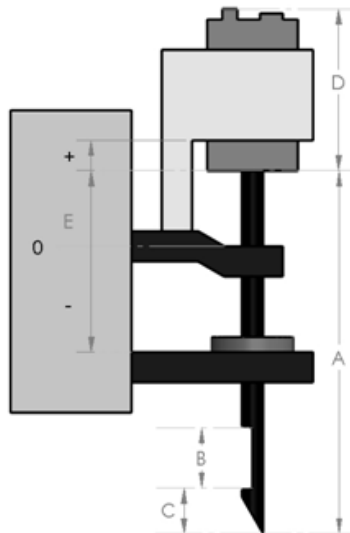
Configuration du GE Senographe® Essential Stereotaxy pour appareil de biopsie Eviva® avec approche verticale

Programmez le système de stéréotaxie GE Senographe Essential pour l'appareil de biopsie Eviva conformément aux instructions de configuration de l'aiguille fournies dans le manuel de stéréotaxie du GE Senographe Essential, conjointement avec les étapes ci-dessous.

Lors de la "Création" d'aiguilles, sélectionnez "**VAD avec porte-aiguille**" comme type d'aiguille. Utilisez les dimensions indiquées dans le tableau ci-dessous. L'illustration en-dessous du tableau présente une schématisation des dimensions.

REMARQUE : ne sélectionnez pas "CB" car cela entraînerait l'accès de l'aiguille à une profondeur incorrecte

	Eviva 0910-20 Eviva 1210-20	Eviva 0910-12	Eviva 0910-12T
Nom recommandé dans les logiciels	Eviva XX10-20ver	Eviva 0910-12ver	Eviva 0910-12Tver
A (mm)	101,0	97,2	101,0
B (mm)	20	12	12
C (mm)	8	4	8
D (mm)	260	260	260
E (mm)	-16,4	-16,4	-16,4
Toutes les valeurs indiquées ci-dessus doivent être vérifiées avec l'appareil de biopsie Eviva approprié et au moyen de tests permettant de garantir que la cible est proche du centre de l'ouverture de l'appareil de biopsie.			



Réalisation d'une biopsie stéréotaxique au moyen de l'appareil de biopsie Eviva sur le système de stéréotaxie GE Senographe Essential avec approche verticale

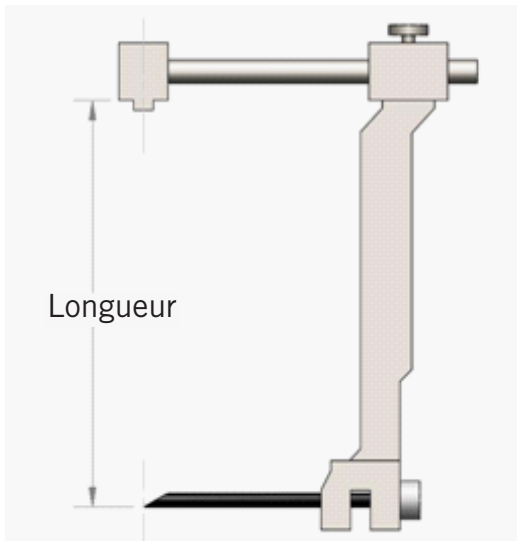
1. Configuration du système de stéréotaxie GE Senographe Essential pour approche verticale au moyen de support(s) approprié(s). Reportez-vous au manuel d'utilisation du système de stéréotaxie GE Senographe Essential pour les instructions de configuration.
2. Installez le *Eviva Adapter for GE* sur le système de stéréotaxie GE Senographe Essential.
3. Installez le *Eviva Bushing for GE* dans le support inférieur de guidage de l'aiguille du système de stéréotaxie GE Senographe Essential
4. Installez le guide d'aiguille jetable approprié, *Eviva_NG09R* ou *Eviva_NG12R*, dans le *Eviva Bushing for GE*.
5. Assurez-vous que le bon appareil de biopsie Eviva est sélectionné dans le logiciel de stéréotaxie du GE Senographe Essential avant d'envoyer la cible au système stéréotaxique. L'appareil de biopsie Eviva sélectionné doit correspondre à l'appareil de biopsie qui est utilisé dans la procédure.
6. Effectuez la procédure de biopsie en suivant le mode d'emploi de l'appareil de biopsie mammaire Eviva.
7. Nettoyez le *Eviva Adapter for GE* et le *Eviva Bushing for GE* en suivant les instructions de nettoyage à la page 11 de ce document.

Configuration du GE Senographe® Essential Stereotaxy pour appareil de biopsie Eviva avec approche par bras latéral

Programmez le système de stéréotaxie GE Senographe Essential pour une aiguille latérale conformément aux instructions du manuel de stéréotaxie du GE Senographe Essential, conjointement avec les étapes ci-dessous.

- a. Lors de la "Création" d'aiguilles, sélectionnez "LAT" comme type d'aiguille. Le nom recommandé pour l'aiguille est **ATEC-EvivaLAT**.
- b. Comme *Longueur (A)* saisissez **107,8** mm pour créer l'aiguille. L'illustration ci-dessous présente une schématisation de la dimension.

REMARQUE : cette longueur garantit que l'aiguille sera alignée avec le guide de l'aiguille. Cette longueur est commune à tous les appareils Eviva et ATEC. Aucune information sur la longueur de l'aiguille, l'encoche (ouverture) ou la fin (espace mort) n'est saisie dans le système ; par conséquent, il n'est nécessaire de programmer qu'une seule aiguille pour tous les appareils Eviva et ATEC courants. **Cette distance ne contrôle pas la profondeur d'insertion de l'aiguille dans le sein.** La profondeur d'insertion sera contrôlée par l'avancement de l'appareil de biopsie à la position indiquée dans le tableau de la page 6.



Toutes les valeurs indiquées ci-dessus doivent être vérifiées avec l'appareil de biopsie Eviva approprié et au moyen de tests permettant de garantir que la cible est proche du centre de l'ouverture de l'appareil de biopsie. L'appareil de biopsie Eviva doit être avancé à la position appropriée sur la barre adaptatrice latérale. Voir le tableau à la page 6.

Réalisation d'une biopsie stéréotaxique au moyen de l'appareil de biopsie Eviva sur le système de stéréotaxie GE Senographe Essential avec approche par bras latéral

1. Configuration du système de stéréotaxie GE Senographe Essential pour approche latérale au moyen de support(s) approprié(s). Reportez-vous au manuel de stéréotaxie du GE Senographe Essential pour les instructions de configuration.
2. Installez le *Eviva Adapter* sur le système de stéréotaxie GE Senographe Essential.
3. Installez le guide d'aiguille jetable approprié, *Eviva_NG09R* ou *Eviva_NG12R*, dans le bras latéral du GE Senographe Essential.
4. Assurez-vous que la bonne aiguille Eviva est sélectionnée (**ATEC-EvivaLAT**) dans le logiciel de stéréotaxie du GE Senographe Essential avant d'envoyer la cible au système stéréotaxique.
5. Avancez l'appareil de biopsie Eviva à la bonne position sur la barre adaptatrice latérale. Voir le tableau ci-dessous pour cette position.
6. Effectuez la procédure de biopsie en suivant le mode d'emploi de l'appareil de biopsie mammaire Eviva.
7. Nettoyez le *Eviva Adapter* en suivant les instructions de nettoyage à la page 11 de ce document.

	Eviva 0913-20 Eviva 1213-20	Eviva 0913-12	Eviva 0913-12T
Position appropriée de l'appareil sur la barre adaptatrice latérale (mm)	68	72	72
Toutes les valeurs indiquées ci-dessus doivent être vérifiées avec l'appareil de biopsie Eviva approprié et au moyen de tests permettant de garantir que la cible est proche du centre de l'ouverture de l'appareil de biopsie. L'appareil de biopsie Eviva doit être avancé à la position appropriée sur la barre adaptatrice latérale. Voir tableau ci-dessus.			

Configuration du GE Senographe DS Stereotaxy pour appareil de biopsie Eviva avec approche verticale

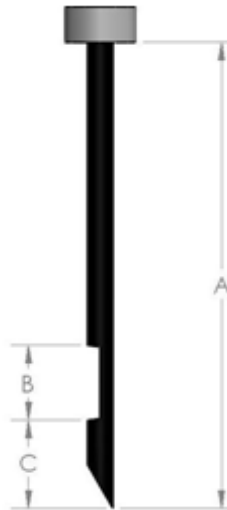
Programmez le système de stéréotaxie GE Senographe DS pour l'appareil de biopsie Eviva conformément aux instructions de configuration de l'aiguille fournies dans le manuel de stéréotaxie du GE Senographe DS, conjointement avec les étapes ci-dessous.

Lors de la "Création" d'aiguilles, sélectionnez "CB" comme type d'aiguille. Utilisez les dimensions indiquées dans le tableau ci-dessous. L'illustration en-dessous du tableau présente une schématisation des dimensions.

REMARQUE : pour les systèmes de stéréotaxie GE Senographe DS avec procédures mises à jour de configuration de l'aiguille de biopsie comme cela est indiqué dans le manuel d'utilisation 5308544-3-C-1EN ou dans une version ultérieure, veuillez vous référer à la fiche de configuration du GE Senographe Essential Stereotaxy pour appareil de biopsie Eviva avec approche verticale à la page 3 de ce document pour des instructions complètes de configuration de l'aiguille.

	Eviva 0910-20 Eviva 1210-20	Eviva 0910-12	Eviva 0910-12T
Nom recommandé dans les logiciels	Eviva XX10-20ver	Eviva 0910-12ver	Eviva 091012Tver
A (mm)	121,6	117,6	121,6
B (mm)	20	12	12
C (mm)	8	4	8

Toutes les valeurs indiquées ci-dessus doivent être vérifiées avec l'appareil de biopsie Eviva approprié et au moyen de tests permettant de garantir que la cible est proche du centre de l'ouverture de l'appareil de biopsie.



Réalisation d'une biopsie stéréotaxique au moyen de l'appareil de biopsie Eviva sur le système de stéréotaxie GE Senographe DS avec approche verticale

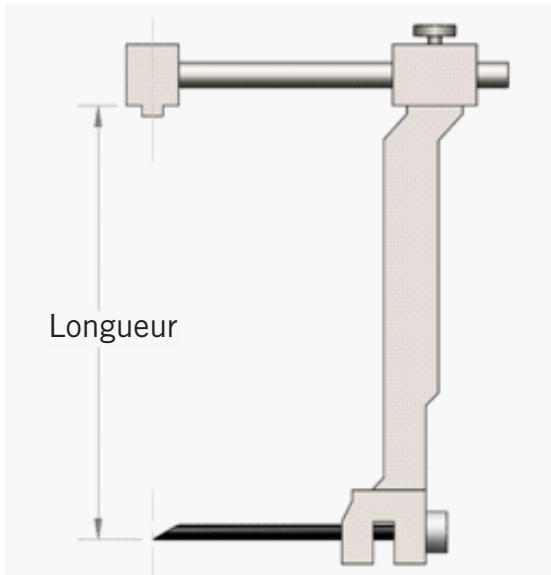
1. Configuration du système de stéréotaxie GE Senographe DS pour approche verticale au moyen de support(s) approprié(s). Reportez-vous au manuel d'utilisation du GE Senographe DS pour les instructions de configuration.
2. Installez le *Eviva Adapter for GE* sur le système de stéréotaxie GE Senographe DS.
3. Installez le *Eviva Bushing for GE* dans le support inférieur de guidage de l'aiguille du système de stéréotaxie GE Senographe DS.
4. Installez le guide d'aiguille jetable approprié, *Eviva_NG09R* ou *Eviva_NG12R*, dans le *Eviva Bushing for GE*.
5. Assurez-vous que le bon appareil de biopsie Eviva est sélectionné dans le logiciel de stéréotaxie du GE Senographe DS avant d'envoyer la cible au système stéréotaxique. L'appareil de biopsie Eviva sélectionné doit correspondre à l'appareil de biopsie qui est utilisé dans la procédure.
6. Effectuez la procédure de biopsie en suivant le mode d'emploi de l'appareil de biopsie mammaire Eviva.
7. Nettoyez le *Eviva Adapter for GE* et le *Eviva Bushing for GE* en suivant les instructions de nettoyage à la page 11 de ce document.

Configuration du GE Senographe DS Stereotaxy pour appareil de biopsie Eviva avec approche par bras latéral

Programmez le système de stéréotaxie GE Senographe DS pour une aiguille latérale conformément aux instructions du manuel de stéréotaxie du GE Senographe DS, conjointement avec les étapes ci-dessous.

- a. Lors de la "Création" d'aiguilles, sélectionnez "**LAT**" comme type d'aiguille. Le nom recommandé pour l'aiguille est **ATEC-EvivaLAT**.
- b. Comme *Longueur (A)* saisissez **107,8** mm pour créer l'aiguille. L'illustration ci-dessous présente une schématisation de la dimension.

REMARQUE : cette longueur garantit que l'aiguille sera alignée avec le guide de l'aiguille. Cette longueur est commune à tous les appareils Eviva et ATEC. Aucune information sur la longueur de l'aiguille, l'encoche (ouverture) ou la fin (espace mort) n'est saisie dans le système ; par conséquent, il n'est nécessaire de programmer qu'une seule aiguille pour tous les appareils Eviva et ATEC courants. **Cette distance ne contrôle pas la profondeur d'insertion de l'aiguille dans le sein.** La profondeur d'insertion sera contrôlée par l'avancement de l'appareil de biopsie à la position indiquée dans le tableau de la page 10.



Toutes les valeurs indiquées ci-dessus doivent être vérifiées avec l'appareil de biopsie Eviva approprié et au moyen de tests permettant de garantir que la cible est proche du centre de l'ouverture de l'appareil de biopsie. L'appareil de biopsie Eviva doit être avancé à la position appropriée sur la barre adaptatrice latérale. Voir le tableau à la page 10.

Réalisation d'une biopsie stéréotaxique au moyen de l'appareil de biopsie Eviva sur le système de stéréotaxie GE Senographe DS avec approche par bras latéral

1. Configuration du système de stéréotaxie GE Senographe DS pour approche latérale au moyen de support(s) approprié(s). Reportez-vous au manuel d'utilisation du GE Senographe DS pour les instructions de configuration.
2. Installez le *Eviva Adapter* sur le système de stéréotaxie GE Senographe DS.
3. Installez le guide d'aiguille jetable approprié, *Eviva_NG09R* ou *Eviva_NG12R*, dans le bras latéral du GE Senographe DS.
4. Assurez-vous que l'appareil de biopsie approprié Eviva est sélectionné (**ATEC-EvivaLAT**) dans le logiciel de stéréotaxie du GE Senographe DS avant d'envoyer la cible au système stéréotaxique.
5. Avancez l'appareil de biopsie Eviva à la bonne position sur la barre adaptatrice latérale. Voir le tableau ci-dessous pour cette position.
6. Effectuez la procédure de biopsie en suivant le mode d'emploi de l'appareil de biopsie mammaire Eviva.
7. Nettoyez le *Eviva Adapter* en suivant les instructions de nettoyage à la page 11 de ce document.

	Eviva 0913-20 Eviva 1213-20	Eviva 0913-12	Eviva 0913-12T
Position appropriée de l'appareil sur la barre adaptatrice latérale (mm)	68	72	72
Toutes les valeurs indiquées ci-dessus doivent être vérifiées avec l'appareil de biopsie Eviva approprié et au moyen de tests permettant de garantir que la cible est proche du centre de l'ouverture de l'appareil de biopsie. L'appareil de biopsie Eviva doit être avancé à la position appropriée sur la barre adaptatrice latérale. Voir tableau ci-dessus.			

Instructions de nettoyage pour *Eviva Adapter*, *Eviva Adapter for GE*, *Eviva Stylet Bracket* et *Eviva Bushing for GE*

1. À la fin de la biopsie, rincez immédiatement le *Eviva Adapter*, *Eviva Adapter for GE*, et/ou le *Eviva Bushing for GE* à l'eau chaude.
2. Pulvériser un produit nettoyant sur tous les composants

Les produits de nettoyage suivants SONT DÉCONSEILLÉS car ils risquent d'endommager les composants exposés :

- Les produits de nettoyage à base d'eau de Javel
 - Le peroxyde d'hydrogène
 - Tous produits nettoyants/désinfectants ayant un pH inférieur à 4 ou supérieur à 10
3. Laissez agir le produit nettoyant suffisamment longtemps pour désinfecter les composants.
 4. Rincez à l'eau chaude.
 5. Séchez avec une serviette en tissu ou en papier.

© 2011, Hologic, Inc. Tous droits réservés. Hologic et Eviva sont des marques commerciales et/ou des marques déposées de Hologic, Inc. et/ou de ses filiales aux États-Unis et/ou dans d'autres pays. Toutes les autres marques commerciales, marques déposées et noms de produits utilisés dans ce document sont la propriété de leurs propriétaires respectifs.

BITTE VOR DURCHFÜHRUNG DES VERFAHRENS LESEN:

Dieses Konfigurationshandbuch ist zur Verwendung in Verbindung mit der Anleitung zum Eviva®-Brustbiopsieinstrument und/oder dem GE Senographe® Essential Stereotaxy-Bedienungshandbuch und/oder dem GE Senographe DS® Stereotaxy-Bedienungshandbuch und nicht als Ersatz für die genannten Anleitungen vorgesehen. Vor Durchführung des Verfahrens muss der Arzt die gesamte Bedienungsanleitung zum Eviva-Brustbiopsieinstrument und dem/den GE-System(en) lesen und sich mit ihnen vertraut machen. Die Gebrauchsanleitung zum Eviva-Brustbiopsieinstrument sowie die Bedienungsanleitung zum GE Senographe Essential Stereotaxy und zum GE Senographe DS Stereotaxy enthalten umfassende Bedienungshinweise, Hinweise zu Kontraindikationen sowie Sicherheitsinformationen. Zur Überprüfung der Genauigkeit des Eviva-Biopsieinstruments in Verbindung mit dem GE Senographe DS Stereotaxy-System und dem GE Senographe Essential Stereotaxy-System wurden verschiedene Tests durchgeführt. Die im vorliegenden Dokument genannten Konfigurationszahlen sind jedoch lediglich Richtwerte. Die Konfigurationszahlen müssen vor Ort vor Durchführung eines Verfahrens mit dem entsprechenden Eviva-Biopsieinstrument überprüft werden.

Bitte behalten Sie dieses Konfigurationshandbuch. Beachten Sie dabei bitte, dass Hologic den Inhalt dieses Handbuchs zwar häufig aktualisiert, sich medizinische Daten und Technologien jedoch schnell ändern können. Daher sind einige der Informationen in diesem Handbuch u. U. nicht mehr aktuell. Die Verwendung dieser Anleitung in Verbindung mit anderen Produkten als den ausdrücklich genannten kann zur Verletzung des Patienten und/oder zur Beschädigung des Geräts führen.

Inhalt

Konfiguration des GE Senographie® <u>Essential</u> Stereotaxy-Systems für das Eviva®-Biopsieinstrument zur <u>vertikalen</u> Anwendung	Seite 36
Durchführen einer stereotaktischen Biopsie unter Verwendung des Eviva-Biopsieinstruments in Verbindung mit dem Senographie <u>Essential</u> Stereotaxy-System zur <u>vertikalen</u> Anwendung	Seite 37
Konfiguration des GE Senographie <u>Essential</u> Stereotaxy-Systems für das Eviva-Biopsieinstrument zur <u>Seitenarm</u> -Anwendung	Seite 38
Durchführen einer stereotaktischen Biopsie unter Verwendung des Eviva-Biopsieinstruments in Verbindung mit dem Senographie <u>Essential</u> Stereotaxy-System zur <u>Seitenarm</u> -Anwendung	Seite 39
Konfiguration des GE Senographie <u>DS</u> Stereotaxy-Systems für das Eviva-Biopsieinstrument zur <u>vertikalen</u> Anwendung	Seite 40
Durchführen einer stereotaktischen Biopsie unter Verwendung des Eviva-Biopsieinstruments in Verbindung mit dem Senographie <u>DS</u> Stereotaxy-System zur <u>vertikalen</u> Anwendung	Seite 41
Konfiguration des GE Senographie <u>DS</u> Stereotaxy-Systems für das Eviva-Biopsieinstrument zur <u>Seitenarm</u> -Anwendung	Seite 42
Durchführen einer stereotaktischen Biopsie unter Verwendung des Eviva-Biopsieinstruments in Verbindung mit dem Senographie <u>DS</u> Stereotaxy-System zur <u>Seitenarm</u> -Anwendung	Seite 43
Reinigungsanleitung für den Eviva-Adapter, den Eviva-Adapter für GE Eviva-Trokar-Ansatz und Eviva-Hülse für GE	Seite 44

Konfiguration des GE Senographe® Essential Stereotaxy-Systems für das Eviva®-Biopsieinstrument zur vertikalen Anwendung

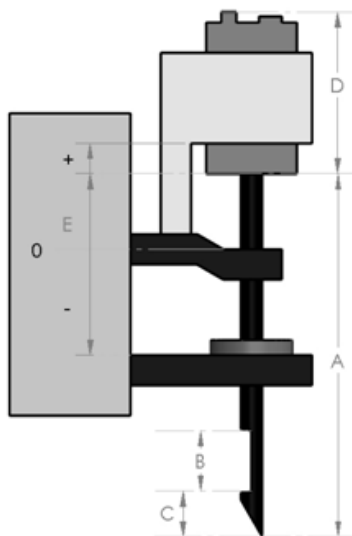
Programmieren Sie das GE Senographe Essential Stereotaxy-System für das Eviva-Biopsieinstrument gemäß den Anweisungen zur Nadelkonfiguration im GE Senographe Essential Stereotaxy-Bedienungshandbuch in Verbindung mit den nachfolgenden Schritten.

Wählen Sie beim „Erstellen“ von Nadeln als Nadeltyp **„VAD mit Nadelhalter“** aus. Verwenden Sie die Maße aus der folgenden Tabelle. Die Abbildung unter der Tabelle ist eine schematische Darstellung der Maße.

HINWEIS: Wählen Sie nicht **„CB“** aus, da sich die Nadel dadurch in eine falsche Tiefe bewegt.

	Eviva 0910-20 Eviva 1210-20	Eviva 0910-12	Eviva 0910-12T
Empfohlener Name in der Software	Eviva XX10-20ver	Eviva 0910-12ver	Eviva 0910-12Tver
A (mm)	101,0	97,2	101,0
B (mm)	20	12	12
C (mm)	8	4	8
D (mm)	260	260	260
E (mm)	-16,4	-16,4	-16,4

Alle oben genannten Werte müssen anhand des entsprechenden Eviva-Biopsieinstruments und eines geeigneten Tests überprüft werden, damit sichergestellt ist, dass das Ziel in der Nähe des Zentrums der Apertur für das Biopsieinstrument liegt.



Durchführen einer stereotaktischen Biopsie unter Verwendung des Eviva-Biopsieinstruments auf dem GE Senographe Essential Stereotaxy-System zur vertikalen Anwendung

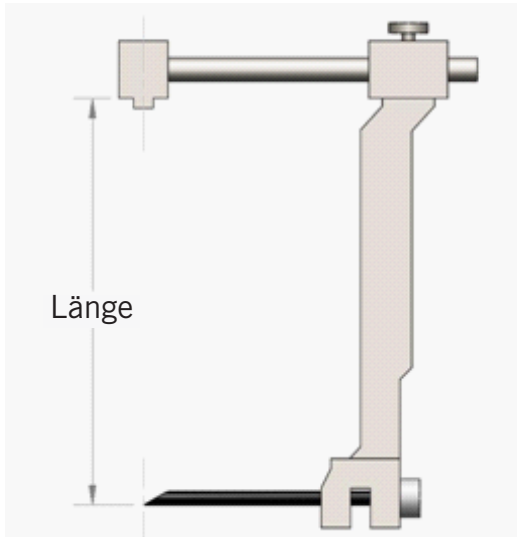
1. Konfigurieren Sie das GE Senographe Essential Stereotaxy-System zur vertikalen Anwendung mithilfe der entsprechenden Ansätze. Konfigurationshinweise finden Sie im Bedienungshandbuch zum GE Senographe Essential Stereotaxy-System.
2. Installieren Sie den *Eviva-Adapter für GE* auf dem GE Senographe Essential Stereotaxy-System.
3. Installieren Sie die *Eviva-Hülse für GE* im unteren Nadelführungshalter des GE Senographe Essential Stereotaxy-Systems.
4. Installieren Sie die entsprechende Einweg-Nadelführung *Eviva_NG09R* oder *Eviva_NG12R* in der *Eviva-Hülse für GE*.
5. Vergewissern Sie sich, dass das richtige Eviva-Biopsieinstrument in der GE Senographe Essential Stereotaxy-Software ausgewählt ist, bevor Sie das Ziel an das stereotaktische System senden. Das ausgewählte Eviva-Biopsieinstrument muss zu dem Biopsieinstrument passen, das in dem Verfahren zum Einsatz kommt.
6. Führen Sie das Biopsieverfahren gemäß der Gebrauchsanweisung für das Eviva-Brustbiopsieinstrument durch.
7. Reinigen Sie den *Eviva-Adapter für GE* und die *Eviva-Hülse für GE* gemäß der Reinigungsanleitung auf Seite 11 dieses Dokuments.

Konfiguration des GE Senographe Essential Stereotaxy-Systems für das Eviva-Biopsieinstrument zur Seitenarm-Anwendung

Programmieren Sie das GE Senographe Essential Stereotaxy-System für eine laterale Nadel gemäß den Anweisungen im Bedienungshandbuch zum GE Senographe Essential Stereotaxy in Verbindung mit den nachfolgenden Schritten.

- a. Wählen Sie beim „Erstellen“ von Nadeln als Nadeltyp „LAT“ aus. Der für die Nadel empfohlene Name lautet **ATEC-EvivaLAT**.
- b. Geben Sie unter (A) **Länge 107,8** mm ein, um die Nadel zu erstellen. Die Abbildung unten ist eine schematische Darstellung der Maße.

HINWEIS: Durch diese Länge wird sichergestellt, dass die Nadel an der Nadelführung ausgerichtet wird. Diese Länge ist für alle Eviva- und alle ATEC-Instrumente gebräuchlich. Es werden keine Daten bezüglich der Länge der Nadel, des Einschnitts (Apertur) oder des Endes (Totraum) in das System eingegeben; daher muss für alle aktuellen Eviva- und ATEC-Instrumente nur eine Nadel programmiert werden. **Durch diese Distanz wird nicht reguliert, wie tief die Nadel in die Brust eingeführt wird.** Die Einführtiefe wird dadurch reguliert, dass das Biopsieinstrument an die in der Tabelle auf Seite 6 empfohlene Position vorgeschoben wird.



Alle oben genannten Werte müssen anhand des entsprechenden Eviva-Biopsieinstruments und eines geeigneten Tests überprüft werden, damit sichergestellt ist, dass das Ziel in der Nähe des Zentrums der Apertur für das Biopsieinstrument liegt. Das Eviva-Biopsieinstrument muss an die richtige Instrumentenposition auf der lateralen Adapterschiene vorgeschoben werden. Siehe die Tabelle auf Seite 6.

Durchführen einer stereotaktischen Biopsie unter Verwendung des Eviva-Biopsieinstruments auf dem GE Senographe Essential Stereotaxy-System zur Seitenarm-Anwendung

1. Konfigurieren Sie das GE Senographe Essential Stereotaxy-System zur lateralen Anwendung mithilfe der entsprechenden Ansätze. Konfigurationshinweise finden Sie im Bedienungshandbuch zum GE Senographe Essential Stereotaxy-System.
2. Installieren Sie den *Eviva-Adapter* auf dem GE Senographe Essential Stereotaxy-System.
3. Installieren Sie die entsprechende Einweg-Nadelführung *Eviva_NG09R* oder *Eviva_NG12R* im GE Senographe Essential-Seitenarm.
4. Vergewissern Sie sich, dass die richtige Eviva-Nadel (**ATEC-EvivaLAT**) in der GE Senographe Essential Stereotaxy- Software ausgewählt ist, bevor Sie das Ziel an das stereotaktische System senden.
5. Schieben Sie das Eviva-Biopsieinstrument an die richtige Position auf der lateralen Adapterschiene vor. Siehe die Tabelle unten für die entsprechende Position.
6. Führen Sie das Biopsieverfahren gemäß der Gebrauchsanweisung für das Eviva-Brustbiopsieinstrument durch.
7. Reinigen Sie den *Eviva-Adapter* gemäß der Reinigungsanleitung auf Seite 11 dieses Dokuments.

	Eviva 0913-20 Eviva 1213-20	Eviva 0913-12	Eviva 0913-12T
Richtige Instrumentenposition auf der lateralen Adapterschiene (mm)	68	72	72
Alle oben genannten Werte müssen anhand des entsprechenden Eviva-Biopsieinstruments und eines geeigneten Tests überprüft werden, damit sichergestellt ist, dass das Ziel in der Nähe des Zentrums der Apertur für das Biopsieinstrument liegt. Das Eviva-Biopsieinstrument muss an die richtige Instrumentenposition auf der lateralen Adapterschiene vorgeschoben werden. Siehe die Tabelle oben.			

Konfiguration des GE Senographe DS Stereotaxy-Systems für das Eviva-Biopsieinstrument zur vertikalen-Anwendung

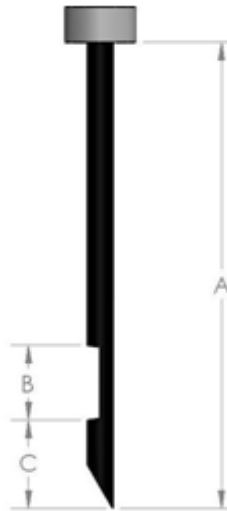
Programmieren Sie das GE Senographe DS Stereotaxy-System für das Eviva-Biopsieinstrument gemäß den Anweisungen zur Nadelkonfiguration im GE Senographe DS Stereotaxy-Bedienungshandbuch in Verbindung mit den nachfolgenden Schritten.

Wählen Sie beim „Erstellen“ von Nadeln als Nadeltyp „**CB**“ aus. Verwenden Sie die Maße aus der folgenden Tabelle. Die Abbildung unter der Tabelle ist eine schematische Darstellung der Maße.

HINWEIS: Bei GE Senographe DS Stereotaxy-Systemen mit aktualisierten Biopsienadel-Konfigurationsverfahren gemäß Bedienungsanleitung ab Version 5308544-3-C-1EN beachten Sie bitte in Ergänzung der Anweisungen zur Nadelkonfiguration die Konfigurationshinweise zum GE Senographe Essential Stereotaxy-System für das Eviva-Biopsieinstrument zur vertikalen Anwendung auf Seite 3 dieses Dokuments.

	Eviva 0910-20 Eviva 1210-20	Eviva 0910-12	Eviva 0910-12T
Empfohlener Name in der Software	Eviva XX10-20ver	Eviva 0910-12ver	Eviva 091012Tver
A (mm)	121,6	117,6	121,6
B (mm)	20	12	12
C (mm)	8	4	8

Alle oben genannten Werte müssen anhand des entsprechenden Eviva-Biopsieinstruments und eines geeigneten Tests überprüft werden, damit sichergestellt ist, dass das Ziel in der Nähe des Zentrums der Apertur für das Biopsieinstrument liegt.



Durchführen einer stereotaktischen Biopsie unter Verwendung des Eviva-Biopsieinstruments auf dem GE Senographe DS Stereotaxy-System zur vertikalen Anwendung

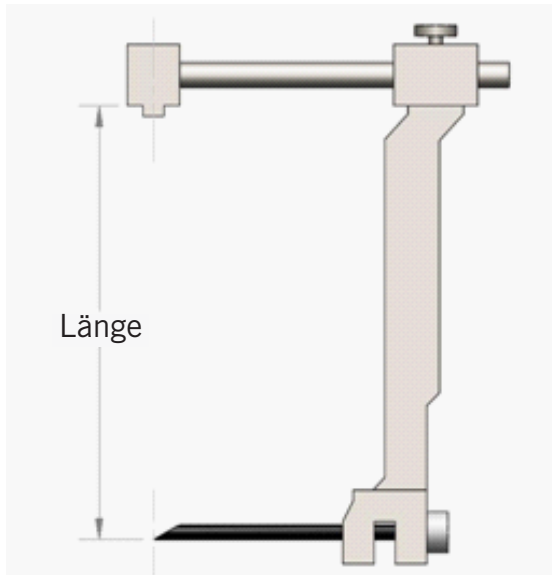
1. Konfigurieren Sie das GE Senographe DS Stereotaxy-System zur vertikalen Anwendung mithilfe der entsprechenden Ansätze. Siehe die Konfigurationsanleitung im GE Senographe DS-Bedienungshandbuch.
2. Installieren Sie den *Eviva-Adapter für GE* auf dem GE Senographe DS Stereotaxy-System.
3. Installieren Sie die *Eviva-Hülse für GE* im unteren Nadelführungshalter des GE Senographe DS Stereotaxy- Systems.
4. Installieren Sie die entsprechende Einweg-Nadelführung *Eviva_NG09R* oder *Eviva_NG12R* in der *Eviva-Hülse für GE*.
5. Vergewissern Sie sich, dass das richtige Eviva-Biopsieinstrument in der GE Senographe DS Stereotaxy-Software ausgewählt ist, bevor Sie das Ziel an das stereotaktische System senden. Das ausgewählte Eviva-Biopsieinstrument muss zu dem Biopsieinstrument passen, das in dem Verfahren zum Einsatz kommt.
6. Führen Sie das Biopsieverfahren gemäß der Gebrauchsanweisung für das Eviva-Brustbiopsieinstrument durch.
7. Reinigen Sie den *Eviva-Adapter für GE* und die *Eviva-Hülse für GE* gemäß der Reinigungsanleitung auf Seite 11 dieses Dokuments.

Konfiguration des GE Senographe DS Stereotaxy-Systems für das Eviva-Biopsieinstrument zur Seitenarm-Anwendung

Programmieren Sie das GE Senographe DS Stereotaxy-System für eine laterale Nadel gemäß den Anweisungen im GE Senographe DS Stereotaxy-Bedienungshandbuch in Verbindung mit den nachfolgenden Schritten.

- a. Wählen Sie beim „Erstellen“ von Nadeln als Nadeltyp „LAT“ aus. Der für die Nadel empfohlene Name lautet **ATEC-EvivaLAT**.
- b. Geben Sie unter (A) *Länge* **107,8** mm ein, um die Nadel zu erstellen. Die Abbildung unten ist eine schematische Darstellung der Maße.

HINWEIS: Durch diese Länge wird sichergestellt, dass die Nadel an der Nadelführung ausgerichtet wird. Diese Länge ist für alle Eviva- und alle ATEC-Instrumente gebräuchlich. Es werden keine Daten bezüglich der Länge der Nadel, des Einschnitts (Apertur) oder des Endes (Totraum) in das System eingegeben; daher muss für alle aktuellen Eviva- und ATEC-Instrumente nur eine Nadel programmiert werden. **Durch diese Distanz wird nicht reguliert, wie tief die Nadel in die Brust eingeführt wird.** Die Einführtiefe wird dadurch reguliert, dass das Biopsieinstrument an die in der Tabelle auf Seite 10 empfohlene Position vorgeschoben wird.



Alle oben genannten Werte müssen anhand des entsprechenden Eviva-Biopsieinstruments und eines geeigneten Tests überprüft werden, damit sichergestellt ist, dass das Ziel in der Nähe des Zentrums der Apertur für das Biopsieinstrument liegt. Das Eviva-Biopsieinstrument muss an die richtige Instrumentenposition auf der lateralen Adapterschiene vorgeschoben werden. Siehe die Tabelle auf Seite 10.

Durchführen einer stereotaktischen Biopsie unter Verwendung des Eviva-Biopsieinstruments auf dem GE Senographe DS Stereotaxy-System zur Seitenarm-Anwendung

1. Konfigurieren Sie das GE Senographe DS Stereotaxy-System zur lateralen Anwendung mithilfe der entsprechenden Ansätze. Siehe die Konfigurationsanleitung im GE Senographe DS-Bedienungshandbuch.
2. Installieren Sie den *Eviva-Adapter* auf dem GE Senographe DS Stereotaxy-System.
3. Installieren Sie die entsprechende Einweg-Nadelführung *Eviva_NG09R* oder *Eviva_NG12R* im GE Senographe DS-Seitenarm.
4. Vergewissern Sie sich, dass das richtige Eviva-Biopsieinstrument (**ATEC-EvivaLAT**) in der GE Senographe DS Stereotaxy- Software ausgewählt ist, bevor Sie das Ziel an das stereotaktische System senden.
5. Schieben Sie das Eviva-Biopsieinstrument an die richtige Position auf der lateralen Adapterschiene vor. Siehe die Tabelle unten für die entsprechende Position.
6. Führen Sie das Biopsieverfahren gemäß der Gebrauchsanweisung für das Eviva-Brustbiopsieinstrument durch.
7. Reinigen Sie den *Eviva-Adapter* gemäß der Reinigungsanleitung auf Seite 11 dieses Dokuments.

	Eviva 0913-20 Eviva 1213-20	Eviva 0913-12	Eviva 0913-12T
Richtige Instrumentenposition auf der lateralen Adapterschiene (mm)	68	72	72
Alle oben genannten Werte müssen anhand des entsprechenden Eviva-Biopsieinstruments und eines geeigneten Tests überprüft werden, damit sichergestellt ist, dass das Ziel in der Nähe des Zentrums der Apertur für das Biopsieinstrument liegt. Das Eviva-Biopsieinstrument muss an die richtige Instrumentenposition auf der lateralen Adapterschiene vorgeschoben werden. Siehe die Tabelle oben.			

Reinigungsanleitung für den *Eviva-Adapter*, den *Eviva-Adapter für GE*, den *Eviva-Trokar-Ansatz* und die *Eviva-Hülse für GE*

1. Spülen Sie nach Abschluss des Biopsieverfahrens den *Eviva-Adapter*, den *Eviva-Adapter für GE* und/oder die *Eviva-Hülse für GE* sofort mit warmem Wasser ab.
2. Besprühen Sie alle Teile mit einem Reinigungsmittel.

Folgende Reinigungsprodukte werden NICHT EMPFOHLEN, da sie die mit ihnen in Kontakt kommenden Teile beschädigen können:

- Reinigungsmittel auf Bleichebasis
 - Wasserstoffperoxid
 - Alle Reinigungs-/Desinfektionsmittel mit einem pH-Wert unter 4 oder über 10
3. Warten Sie die erforderliche Zeit ab, bis der ausgewählte Reiniger die Teile desinfiziert hat.
 4. Spülen Sie sie mit warmem Wasser ab.
 5. Wischen Sie sie mit einem Stoff- oder Papierhandtuch ab.

© 2011, Hologic, Inc. Alle Rechte vorbehalten. Hologic und Eviva sind Marken und/oder eingetragene Marken von Hologic, Inc. und/oder ihren Tochtergesellschaften in den USA und/oder anderen Ländern. Alle übrigen Marken, eingetragenen Marken und Produktnamen, die in Verbindung mit diesem Dokument verwendet werden, sind Eigentum ihrer jeweiligen Inhaber.

VOORAFGAAND AAN HET UITVOEREN VAN DE INGREEP DOORLEZEN:

Deze installatiegids is bedoeld voor gebruik in combinatie met, niet ter vervanging van, de gebruiksaanwijzing van het Eviva® borstbiopsiehulpmiddel en/of de bedienershandleiding van het GE Senographe® Essential stereotaxiesysteem en/of de bedienershandleiding van het GE Senographe DS® stereotaxiesysteem. De arts moet voorafgaand aan het uitvoeren van de ingreep de volledige bedieningsinstructies voor het Eviva borstbiopsiehulpmiddel en de GE systemen doornemen en hiermee vertrouwd zijn. Raadpleeg de gebruiksaanwijzing van het Eviva borstbiopsiehulpmiddel, de bedienershandleiding van het GE Senographe Essential stereotaxiesysteem of de bedienershandleiding van het GE Senographe DS stereotaxiesysteem voor de volledige bedieningsinstructies, eventuele contra-indicaties en veiligheidsinformatie. Er zijn controletests uitgevoerd om de nauwkeurigheid van het Eviva biopsiehulpmiddel op het GE Senographe DS stereotaxiesysteem en het GE Senographe Essential stereotaxiesysteem te garanderen. De installatienummers die hierin worden vermeld, zijn echter alleen bedoeld als richtlijn. De installatienummers moeten ter plekke worden gecontroleerd bij het desbetreffende Eviva biopsiehulpmiddel voordat een ingreep wordt uitgevoerd.

Bewaar deze installatiegids. Hoewel Hologic regelmatig de inhoud van deze gids bijwerkt, kunnen medische informatie en technologie snel veranderen. Bepaalde informatie in deze gids kan derhalve verouderd zijn. Het gebruik van deze instructies bij een ander product dan die specifiek zijn vermeld, kan leiden tot letsel bij de patiënt en/of beschadiging van de apparatuur.

Inhoudsopgave

Opstelling van GE Senographe® <u>Essential</u> stereotaxiesysteem voor Eviva® biopsiehulpmiddel met <u>verticale</u> methode	Pagina 47
Een stereotactische biopsie met behulp van het Eviva biopsiehulpmiddel uitvoeren op het GE Senographe <u>Essential</u> stereotaxiesysteem met <u>verticale</u> methode	Pagina 48
Opstelling van GE Senographe <u>Essential</u> stereotaxiesysteem voor het Eviva biopsiehulpmiddel met <u>laterale-arm</u> methode	Pagina 49
Een stereotactische biopsie met behulp van het Eviva biopsiehulpmiddel uitvoeren op het GE Senographe <u>Essential</u> stereotaxiesysteem met <u>laterale-arm</u> methode	Pagina 50
Opstelling van GE Senographe <u>DS</u> stereotaxiesysteem voor Eviva biopsiehulpmiddel met <u>verticale</u> methode	Pagina 51
Een stereotactische biopsie met behulp van het Eviva biopsiehulpmiddel uitvoeren op het GE Senographe <u>DS</u> stereotaxiesysteem met <u>verticale</u> methode	Pagina 52
Opstelling van GE Senographe <u>DS</u> stereotaxiesysteem voor Eviva biopsiehulpmiddel met <u>laterale-arm</u> methode	Pagina 53
Een stereotactische biopsie met behulp van het Eviva biopsiehulpmiddel uitvoeren op het GE Senographe <u>DS</u> stereotaxiesysteem met <u>laterale-arm</u> methode	Pagina 54
Reinigingsinstructies voor Eviva adapter, Eviva adapter voor GE, Eviva stiletbeugel en Eviva bus voor GE	Pagina 55

Opstelling van GE Senographe® Essential stereotaxiesysteem voor Eviva® biopsiehulpmiddel met verticale methode

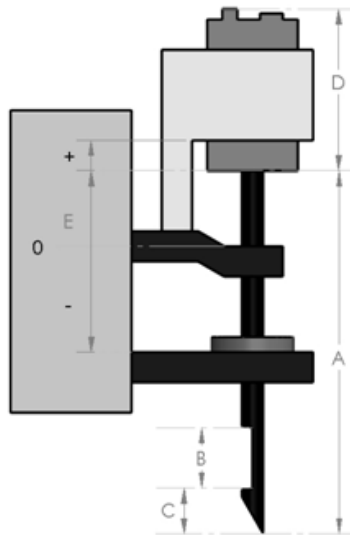
Programmeer het GE Senographe Essential stereotaxiesysteem voor het Eviva biopsiehulpmiddel aan de hand van de opstellingsinstructies voor naalden in de bedienershandleiding van het GE Senographe Essential stereotaxiesysteem in combinatie met de onderstaande stappen.

Selecteer bij het 'maken' van naalden '**VAD met naaldhouder**' voor het type naald. Maak gebruik van de afmetingen in de onderstaande tabel. De tekening onder de tabel toont een schematische weergave van de afmetingen.

OPMERKING: 'CB' dient niet te worden geselecteerd, aangezien de naald hiermee op een onjuiste diepte wordt geplaatst.

	Eviva 0910-20 Eviva 1210-20	Eviva 0910-12	Eviva 0910-12T
Aanbevolen naam in software	Eviva XX10-20ver	Eviva 0910-12ver	Eviva 0910-12Tver
A (mm)	101,0	97,2	101,0
B (mm)	20	12	12
C (mm)	8	4	8
D (mm)	260	260	260
E (mm)	-16,4	-16,4	-16,4

Alle bovenstaande ingevoerde waarden moeten worden gecontroleerd bij het desbetreffende Eviva biopsiehulpmiddel en de toepasselijke test om ervoor te zorgen dat het doel zich in de buurt van het midden van de apertuur van het biopsiehulpmiddel bevindt.



Een stereotactische biopsie met behulp van het Eviva biopsiehulpmiddel uitvoeren op het GE Senographe Essential stereotaxiesysteem met verticale methode

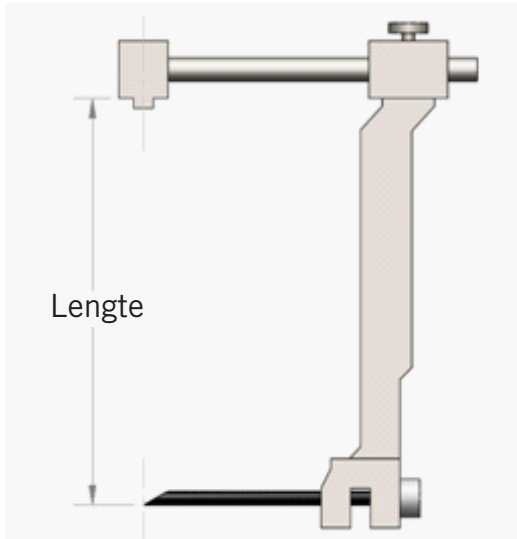
1. Stel het GE Senographe Essential stereotaxiesysteem voor verticale methode op met behulp van de juiste beugel(s). Raadpleeg de bedienershandleiding van het GE Senographe Essential stereotaxiesysteem voor opstellingsinstructies.
2. Plaats de *Eviva adapter voor GE* op het GE Senographe Essential stereotaxiesysteem.
3. Plaats de *Eviva bus voor GE* in de onderste naaldgeleiderhouder van het GE Senographe Essential stereotaxiesysteem.
4. Plaats de juiste wegwerpbare naaldgeleider, *Eviva_NG09R* of *Eviva_NG12R*, in de *Eviva bus voor GE*.
5. Zorg ervoor dat het juiste Eviva biopsiehulpmiddel wordt geselecteerd in de GE Senographe Essential stereotaxiesoftware voordat u het doel naar het stereotactische systeem verstuurt. Het geselecteerde Eviva biopsiehulpmiddel moet overeenkomen met de biopsienaald die in de ingreep wordt gebruikt.
6. Voer de biopsie uit volgens de gebruiksaanwijzing van het Eviva borstbiopsiehulpmiddel.
7. Reinig de *Eviva adapter voor GE* en *Eviva bus voor GE* volgens de reinigingsinstructies op pagina 11 van dit document.

Opstelling van GE Senographe Essential stereotaxiesysteem voor Eviva biopsiehulpmiddel met laterale-armmethode

Programmeer het GE Senographe Essential stereotaxiesysteem voor een laterale naald aan de hand van de instructies in de bedienershandleiding van het GE Senographe Essential stereotaxiesysteem in combinatie met de onderstaande stappen.

- a. Selecteer bij het 'maken' van naalden '**LAT**' voor het type naald. De aanbevolen naam voor de naald is **ATEC-EvivaLAT**.
- b. Voor *lengte (A)* voert u **107,8** mm in om de naald te maken. De onderstaande tekening toont een schematische weergave van de afmeting.

OPMERKING: Aan de hand van deze lengte wordt de naald uitgelijnd met de naaldgeleider. Deze lengte is hetzelfde voor alle Eviva en ATEC hulpmiddelen. Er wordt geen informatie over de lengte van de naald, de uitsparing (apertuur) of het uiteinde (dode ruimte) ingevoerd in het systeem; daarom hoeft slechts één naald te worden geprogrammeerd voor alle huidige Eviva en ATEC hulpmiddelen. **Met deze afstand wordt niet de inbrengdiepte van de naald in de borst bepaald.** De inbrengdiepte wordt bepaald door het opvoeren van het biopsiehulpmiddel naar de aanbevolen positie in de tabel op pagina 6.



Alle bovenstaande ingevoerde waarden moeten worden gecontroleerd bij het desbetreffende Eviva biopsiehulpmiddel en de toepasselijke test om ervoor te zorgen dat het doel zich in de buurt van het midden van de apertuur van het biopsiehulpmiddel bevindt. Het Eviva biopsiehulpmiddel moet worden opgevoerd naar de juiste hulpmiddelpositie op de laterale adapterbalk. Zie de tabel op pagina 6.

Een stereotactische biopsie met behulp van het Eviva biopsiehulpmiddel uitvoeren op het GE Senographe Essential stereotaxiesysteem met laterale-armmethode

1. Stel het GE Senographe Essential stereotaxiesysteem voor laterale methode op met behulp van de juiste beugel(s). Raadpleeg de bedienershandleiding van het GE Senographe Essential stereotaxiesysteem voor opstellingsinstructies.
2. Plaats de *Eviva adapter* op het GE Senographe Essential stereotaxiesysteem.
3. Plaats de juiste wegwerpbare naaldgeleider, *Eviva_NG09R* of *Eviva_NG12R*, in de GE Senographe Essential laterale arm.
4. Zorg ervoor dat de juiste Eviva naald wordt geselecteerd (**ATEC-EvivaLAT**) in de GE Senographe Essential stereotaxiesoftware voordat u het doel naar het stereotactische systeem verstuurt.
5. Voer het Eviva biopsiehulpmiddel op naar de juiste positie op de laterale adapterbalk. Zie onderstaande tabel voor de betreffende positie.
6. Voer de biopsie uit volgens de gebruiksaanwijzing van het Eviva borstbiopsiehulpmiddel.
7. Reinig de *Eviva adapter* volgens de reinigingsinstructies op pagina 11 van dit document.

	Eviva 0913-20 Eviva 1213-20	Eviva 0913-12	Eviva 0913-12T
Juiste hulpmiddelpositie op laterale adapterbalk (mm)	68	72	72
Alle bovenstaande ingevoerde waarden moeten worden gecontroleerd bij het desbetreffende Eviva biopsiehulpmiddel en de toepasselijke test om ervoor te zorgen dat het doel zich in de buurt van het midden van de apertuur van het biopsiehulpmiddel bevindt. Het Eviva biopsiehulpmiddel moet worden opgevoerd naar de juiste hulpmiddelpositie op de laterale adapterbalk. Zie bovenstaande tabel.			

Opstelling van GE Senographe DS stereotaxie-systeem voor Eviva biopsiehulpmiddel met verticale methode

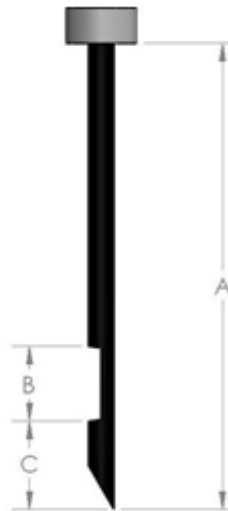
Programmeer het GE Senographe DS stereotaxiesysteem voor het Eviva biopsiehulpmiddel aan de hand van de opstellingsinstructies voor naalden in de bedienershandleiding van het GE Senographe DS stereotaxiesysteem in combinatie met de onderstaande stap.

Selecteer bij het 'maken' van naalden 'CB' voor het type naald. Maak gebruik van de afmetingen in de onderstaande tabel. De tekening onder de tabel toont een schematische weergave van de afmetingen.

OPMERKING: Voor GE Senographe DS stereotaxiesystemen met bijgewerkte opstellingsprocedures voor biopsie-naalden, zoals vermeld in bedienershandleiding 5308544-3-C-1EN of een latere versie, raadpleegt u het werkblad op pagina 3 van dit document met de opstelling van het GE Senographe Essential stereotaxiesysteem voor het Eviva biopsiehulpmiddel met verticale methode voor volledige opstellingsinstructies voor naalden.

	Eviva 0910-20 Eviva 1210-20	Eviva 0910-12	Eviva 0910-12T
Aanbevolen naam in software	Eviva XX10-20ver	Eviva 0910-12ver	Eviva 091012Tver
A (mm)	121,6	117,6	121,6
B (mm)	20	12	12
C (mm)	8	4	8

Alle bovenstaande ingevoerde waarden moeten worden gecontroleerd bij het desbetreffende Eviva biopsiehulpmiddel en de toepasselijke test om ervoor te zorgen dat het doel zich in de buurt van het midden van de apertuur van het biopsiehulpmiddel bevindt.



Een stereotactische biopsie met behulp van het Eviva biopsiehulpmiddel uitvoeren op het GE Senographe DS stereotaxiesysteem met verticale methode

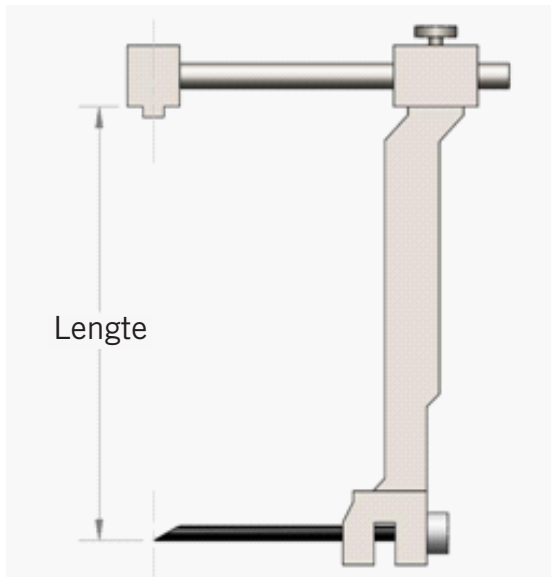
1. Stel het GE Senographe DS stereotaxiesysteem voor verticale methode op met behulp van de juiste beugel(s). Raadpleeg de bedienershandleiding van de GE Senographe DS voor opstellingsinstructies.
2. Plaats de *Eviva adapter voor GE* op het GE Senographe DS stereotaxiesysteem.
3. Plaats de *Eviva bus voor GE* in de onderste naaldgeleiderhouder van het GE Senographe DS stereotaxiesysteem.
4. Plaats de juiste wegwerpbare naaldgeleider, *Eviva_NG09R* of *Eviva_NG12R*, in de *Eviva bus voor GE*.
5. Zorg ervoor dat het juiste Eviva biopsiehulpmiddel wordt geselecteerd in de GE Senographe DS stereotaxiesoftware voordat u het doel naar het stereotactische systeem verstuurt. Het geselecteerde Eviva biopsiehulpmiddel moet overeenkomen met het biopsiehulpmiddel dat in de ingreep wordt gebruikt.
6. Voer de biopsie uit volgens de gebruiksaanwijzing van het Eviva borstbiopsiehulpmiddel.
7. Reinig de *Eviva adapter voor GE* en *Eviva bus voor GE* volgens de reinigingsinstructies op pagina 11 van dit document.

Opstelling van GE Senographe DS stereotaxie-systeem voor Eviva biopsiehulpmiddel met laterale-armmethode

Programmeer het GE Senographe DS stereotaxiesysteem voor een laterale naald aan de hand van de instructies in de bedienershandleiding van het GE Senographe DS stereotaxiesysteem in combinatie met de onderstaande stappen.

- a. Selecteer bij het 'maken' van naalden '**LAT**' voor het type naald. De aanbevolen naam voor de naald is **ATEC-EvivaLAT**.
- b. Voor *lengte (A)* voert u **107,8** mm in om de naald te maken. De onderstaande tekening toont een schematische weergave van de afmeting.

OPMERKING: Aan de hand van deze lengte wordt de naald uitgelijnd met de naaldgeleider. Deze lengte is hetzelfde voor alle Eviva en ATEC hulpmiddelen. Er wordt geen informatie over de lengte van de naald, de uitsparing (apertuur) of het uiteinde (dode ruimte) ingevoerd in het systeem; daarom hoeft slechts één naald te worden geprogrammeerd voor alle huidige Eviva en ATEC hulpmiddelen. **Met deze afstand wordt niet de inbrengdiepte van de naald in de borst bepaald.** De inbrengdiepte wordt bepaald door het opvoeren van het biopsiehulpmiddel naar de aanbevolen positie in de tabel op pagina 10.



Alle bovenstaande ingevoerde waarden moeten worden gecontroleerd bij het desbetreffende Eviva biopsiehulpmiddel en de toepasselijke test om ervoor te zorgen dat het doel zich in de buurt van het midden van de apertuur van het biopsiehulpmiddel bevindt. Het Eviva biopsiehulpmiddel moet worden opgevoerd naar de juiste hulpmiddelpositie op de laterale adapterbalk. Zie de tabel op pagina 10.

Een stereotactische biopsie met behulp van het Eviva biopsiehulpmiddel uitvoeren op het GE Senographe DS stereotaxiesysteem met laterale-armmethode

1. Stel het GE Senographe DS stereotaxiesysteem voor laterale methode op met behulp van de juiste beugel(s). Raadpleeg de bedienershandleiding van de GE Senographe DS voor opstellingsinstructies.
2. Plaats de *Eviva adapter* op het GE Senographe DS stereotaxiesysteem.
3. Plaats de juiste wegwerpbare naaldgeleider, *Eviva_NG09R* of *Eviva_NG12R*, in de GE Senographe DS laterale arm.
4. Zorg ervoor dat het juiste Eviva biopsiehulpmiddel wordt geselecteerd (**ATEC-EvivaLAT**) in de GE Senographe DS stereotaxiesoftware voordat u het doel naar het stereotactische systeem verstuurt.
5. Voer het Eviva biopsiehulpmiddel op naar de juiste positie op de laterale adapterbalk. Zie onderstaande tabel voor de betreffende positie.
6. Voer de biopsie uit volgens de gebruiksaanwijzing van het Eviva borstbiopsiehulpmiddel.
7. Reinig de *Eviva adapter* volgens de reinigingsinstructies op pagina 11 van dit document.

	Eviva 0913-20 Eviva 1213-20	Eviva 0913-12	Eviva 0913-12T
Juiste hulpmiddelpositie op laterale adapterbalk (mm)	68	72	72
Alle bovenstaande ingevoerde waarden moeten worden gecontroleerd bij het desbetreffende Eviva biopsiehulpmiddel en de toepasselijke test om ervoor te zorgen dat het doel zich in de buurt van het midden van de apertuur van het biopsiehulpmiddel bevindt. Het Eviva biopsiehulpmiddel moet worden opgevoerd naar de juiste hulpmiddelpositie op de laterale adapterbalk. Zie bovenstaande tabel.			

Reinigingsinstructies voor *Eviva adapter*, *Eviva adapter voor GE*, *Eviva stiletbeugel* en *Eviva bus voor GE*

1. Spoel de *Eviva adapter*, de *Eviva adapter voor GE* en/of de *Eviva bus voor GE* na voltooiing van de biopsie onmiddellijk af met warm water.
2. Smit reinigingsmiddel op alle onderdelen.

De volgende reinigingsproducten worden NIET AANBEVOLEN, aangezien deze kunnen leiden tot beschadiging van de onderdelen waarop ze worden gebruikt:

- Reinigingsmiddelen op basis van bleekmiddel
 - Waterstofperoxide
 - Reinigings-/desinfectiemiddelen met een pH-waarde van minder dan 4 of meer dan 10
3. Laat het betreffende reinigingsmiddel de benodigde tijd inwerken voor desinfectie van de onderdelen.
 4. Spoel af met warm water.
 5. Veeg droog met een (papieren) doek.

© 2011 Hologic, Inc. Alle rechten voorbehouden. Hologic en Eviva zijn handelsmerken en/of gedeponeerde handelsmerken van Hologic, Inc. en/of haar dochterondernemingen in de Verenigde Staten en/of andere landen. Alle overige handelsmerken, gedeponeerde handelsmerken en productnamen die in dit document worden gebruikt, zijn eigendom van de respectieve eigenaar.

LEGGERE ATTENTAMENTE PRIMA DI ESEGUIRE LA PROCEDURA:

La presente guida all'impostazione costituisce un supplemento alle istruzioni per l'uso del dispositivo per biopsia mammaria Eviva® e/o al manuale per l'operatore di GE Senographe® Essential Stereotaxy e/o di GE Senographe DS® Stereotaxy. Il medico è tenuto a riesaminare e ad avere la piena conoscenza delle istruzioni per l'uso del dispositivo per biopsia mammaria Eviva, nonché dei sistemi GE. Consultare le istruzioni per l'uso del dispositivo per biopsia mammaria Eviva, il manuale dell'operatore dei sistemi stereotassici GE Senographe Essential e GE Senographe DS, al fine di apprendere tutte le istruzioni sul funzionamento, nonché venire a conoscenza di eventuali controindicazioni e informazioni sulla sicurezza. Per garantire il livello di precisione del dispositivo per biopsia Eviva sui sistemi stereotassici GE Senographe DS e Senographe Essential è stato condotto un test di verifica. Tuttavia, i numeri relativi all'impostazione, qui forniti, hanno scopo esclusivamente illustrativo. Prima di eseguire qualsiasi procedura, è necessario verificare in sito i numeri per l'impostazione relativi al dispositivo per biopsia Eviva corrispondente.

Conservare la presente guida all'impostazione. Si noti che sebbene Hologic aggiorni i propri contenuti in modo costante, le informazioni e la tecnologia mediche cambiano rapidamente. Pertanto è possibile che alcune informazioni della guida siano superate. L'utilizzo delle presenti istruzioni con prodotti diversi da quelli indicati, potrebbe causare danni al paziente e/o all'apparecchiatura.

Sommario

Impostazione di GE Senographe® <u>Essential</u> Stereotaxy per il dispositivo bioptico Eviva® con accesso <u>verticale</u>	Pag. 58
Esecuzione di una biopsia stereotassica mediante dispositivo bioptico Eviva in GE Senographe <u>Essential</u> Stereotaxy con accesso <u>verticale</u>	Pag. 59
Impostazione di GE Senographe® <u>Essential</u> Stereotaxy per il dispositivo bioptico Eviva® con accesso dal <u>braccio laterale</u>	Pag. 60
Esecuzione di una biopsia stereotassica mediante dispositivo bioptico Eviva in GE Senographe <u>Essential</u> Stereotaxy con accesso dal <u>braccio laterale</u>	Pag. 61
Impostazione di GE Senographe <u>DS</u> Stereotaxy per il dispositivo bioptico Eviva con accesso <u>verticale</u>	Page 62
Esecuzione di una biopsia stereotassica mediante dispositivo bioptico Eviva in GE Senographe <u>DS</u> Stereotaxy con accesso <u>verticale</u>	Pag. 63
Impostazione di GE Senographe <u>DS</u> Stereotaxy per il dispositivo bioptico Eviva con accesso dal <u>braccio laterale</u>	Pag. 64
Esecuzione di una biopsia stereotassica mediante dispositivo bioptico Eviva in GE Senographe <u>DS</u> Stereotaxy con accesso dal <u>braccio laterale</u>	Pag. 65
Istruzioni sulla pulizia per adattatore Eviva, adattatore Eviva per GE, staffa dello specillo Eviva e boccola Eviva per GE	Pag. 66

Impostazione di GE Senographe® Essential Stereotaxy per il dispositivo bioptico Eviva® con accesso verticale

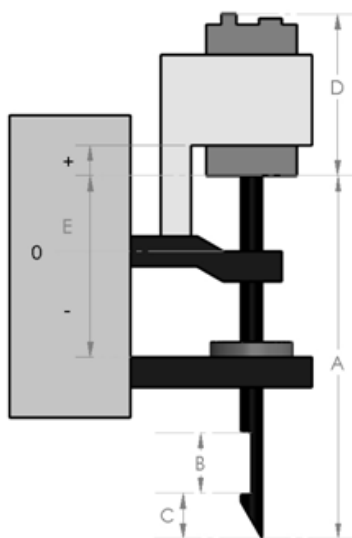
Programmare il sistema stereotassico GE Senographe Essential per il dispositivo per biopsia Eviva conformemente alle istruzioni per il posizionamento degli aghi, fornite nel manuale dell'operatore GE Senographe DS Stereotaxy e ai passaggi riportati di seguito.

Per "creare" gli aghi, selezionare "**VAD con porta ago**" come tipo di ago. Utilizzare i valori di dimensione forniti nella tabella sottostante. Il diagramma sotto la tabella illustra uno schema dei valori di dimensione.

NOTA: non selezionare "CB" poiché ciò condurrebbe a un errato spostamento in profondità dell'ago.

	Eviva 0910-20 Eviva 1210-20	Eviva 0910-12	Eviva 0910-12T
Nome consigliato nel software	Eviva XX10-20ver	Eviva 0910-12ver	Eviva 0910-12Tver
A (mm)	101,0	97,2	101,0
B (mm)	20	12	12
C (mm)	8	4	8
D (mm)	260	260	260
E (mm)	-16,4	-16,4	-16,4

Tutti i valori sopra indicati devono essere verificati con il dispositivo per biopsia Eviva appropriato, inoltre, il test necessario a garantire il target si trova in prossimità dell'apertura centrale del dispositivo bioptico.



Esecuzione di una biopsia stereotassica mediante dispositivo bioptico Eviva nel sistema stereotassico GE Senographe Essential con accesso verticale

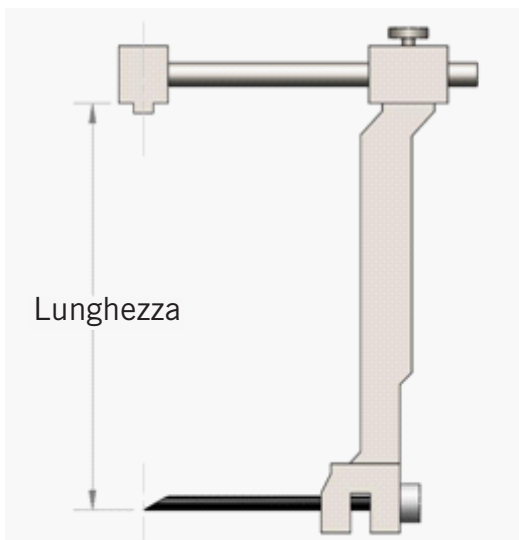
1. Impostazione del sistema stereotassico GE Senographe Essential per l'accesso verticale mediante le apposite staffe. Per le istruzioni per il posizionamento, fare riferimento al manuale dell'operatore del sistema stereotassico GE Senographe Essential.
2. Installare *l'adattatore Eviva per GE* nel sistema GE Senographe Essential.
3. Installare la *boccola Eviva per GE* nel supporto del guida ago inferiore del sistema stereotassico GE Senographe Essential.
4. Installare una guida dell'ago monouso adeguata, *Eviva_NG09R* o *Eviva_NG12R*, nella *boccola Eviva per GE*.
5. Assicurarsi di aver selezionato il dispositivo bioptico Eviva appropriato nel software GE Senographe Essential Stereotaxy, prima di inviare l'oggetto target al sistema stereotassico. Il sistema bioptico Eviva selezionato deve corrispondere al dispositivo per biopsia utilizzato nella procedura.
6. Eseguire la procedura bioptica attenendosi alle istruzioni per l'uso del dispositivo per biopsia mammaria Eviva.
7. Pulire *l'adattatore Eviva per GE* e la *boccola Eviva per GE* attenendosi alle istruzioni sulla pulizia riportate alla pagina 11 del presente documento.

Impostazione di GE Senographe® Essential Stereotaxy per il dispositivo biptico Eviva® con accesso dal braccio laterale

Programmare il sistema stereotassico GE Senographe Essential per un ago laterale, conformemente alle istruzioni fornite nel manuale dell'operatore del sistema stereotassico GE Senographe Essential e ai passaggi riportati di seguito.

- a. Per "creare" gli aghi, selezionare "LAT" come tipo di ago. Il nome consigliato per l'ago è **ATEC-EvivaLAT**.
- b. Come *lunghezza (A)* immettere **107,8** mm per creare l'ago. Il diagramma sottostante illustra uno schema delle dimensioni.

NOTA: tale lunghezza garantisce che l'ago venga allineato alla guida dell'ago. Questa lunghezza è uguale per tutti i dispositivi Eviva e ATEC. Nel sistema non vengono inserite informazioni sulla lunghezza di ago, cavità (apertura) o estremità (spazio morto); pertanto, è necessario programmare un unico ago per tutti i dispositivi Eviva e ATEC. **Questa distanza non consente di controllare la profondità di inserimento dell'ago nella mammella.** La profondità di inserimento verrà controllata facendo avanzare il dispositivo per biopsia fino alla posizione consigliata nella tabella riportata a pagina 6.



Tutti i valori sopra indicati devono essere verificati con il dispositivo per biopsia Eviva appropriato, inoltre, il test necessario a garantire il target si trova in prossimità dell'apertura centrale del dispositivo biptico. È necessario far avanzare il dispositivo per biopsia Eviva fino alla corretta posizione del dispositivo sulla barra dell'adattatore laterale. Vedere la tabella a pagina 6.

Esecuzione di una biopsia stereotassica mediante dispositivo biottico Eviva nel sistema stereotassico GE Senographe Essential con accesso dal braccio laterale

1. Impostazione del sistema stereotassico GE Senographe Essential per l'accesso laterale mediante le apposite staffe. Per le istruzioni per il posizionamento, fare riferimento al manuale dell'operatore del sistema stereotassico GE Senographe Essential.
2. Installare l'*adattatore Eviva* nel sistema stereotassico GE Senographe Essential.
3. Installare una guida dell'ago monouso adeguata, *Eviva_NG09R* o *Eviva_NG12R*, nel braccio laterale di GE Senographe Essential.
4. Assicurarsi di aver selezionato l'ago Eviva appropriato (**ATEC-EvivaLAT**) nel software GE Senographe Essential, prima di inviare l'oggetto target al sistema stereotassico.
5. Far avanzare il dispositivo biottico Eviva nella posizione adeguata sulla barra dell'adattatore laterale. A tale proposito vedere la tabella sottostante.
6. Eseguire la procedura biottica attenendosi alle istruzioni per l'uso del dispositivo per biopsia mammaria Eviva.
7. Pulire l'*adattatore Eviva* attenendosi alle istruzioni sulla pulizia riportate alla pagina 11 del presente documento.

	Eviva 0913-20 Eviva 1213-20	Eviva 0913-12	Eviva 0913-12T
Posizione corretta del dispositivo sulla barra dell'adattatore laterale (mm)	68	72	72
Tutti i valori sopra indicati devono essere verificati con il dispositivo per biopsia Eviva appropriato, inoltre, il test necessario a garantire il target si trova in prossimità dell'apertura centrale del dispositivo biottico. È necessario far avanzare il dispositivo per biopsia Eviva fino alla corretta posizione del dispositivo sulla barra dell'adattatore laterale. Vedere il grafico in alto.			

Impostazione di GE Senographe DS Stereotaxy per il dispositivo bioptico Eviva con accesso verticale

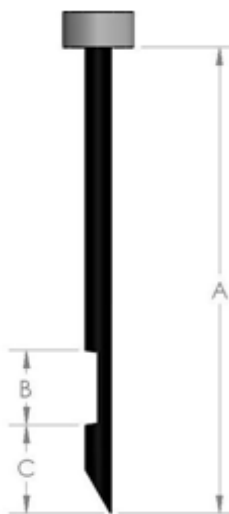
Programmare il sistema stereotassico GE Senographe DS per il dispositivo per biopsia Eviva conformemente alle istruzioni per il posizionamento degli aghi, fornite nel manuale dell'operatore GE Senographe DS Stereotaxy e ai passaggi riportati di seguito.

Per "creare" gli aghi, selezionare "**CB**" come tipo di ago. Utilizzare i valori di dimensione forniti nella tabella sottostante. Il diagramma sotto la tabella illustra uno schema dei valori di dimensione.

NOTA: per i sistemi stereotassici GE Senographe DS con procedure biottiche aggiornate relative al posizionamento degli aghi, come indicato nel manuale dell'operatore 5308544-3-C-1EN o successivi, fare riferimento a "Impostazione di GE Senographe DS Stereotaxy per il dispositivo bioptico Eviva con accesso verticale", a pagina 3 del presente documento, per ottenere le istruzioni complete per il posizionamento degli aghi.

	Eviva 0910-20 Eviva 1210-20	Eviva 0910-12	Eviva 0910-12T
Nome consigliato nel software	Eviva XX10-20ver	Eviva 0910-12ver	Eviva 091012Tver
A (mm)	121,6	117,6	121,6
B (mm)	20	12	12
C (mm)	8	4	8

Tutti i valori sopra indicati devono essere verificati con il dispositivo per biopsia Eviva appropriato, inoltre, il test necessario a garantire il target si trova in prossimità dell'apertura centrale del dispositivo bioptico.



Esecuzione di una biopsia sterotassica mediante dispositivo bioptico Eviva nel sistema sterotassico GE Senographe DS con accesso verticale

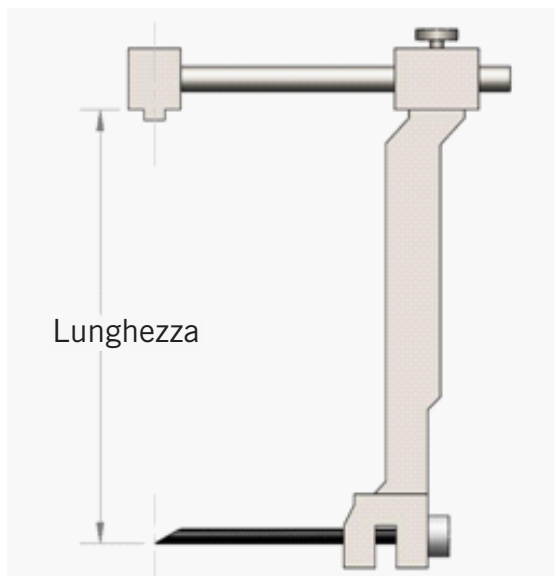
1. Impostazione del sistema sterotassico GE Senographe DS per l'accesso verticale mediante le apposite staffe. Vedere il manuale dell'operatore GE Senographe DS per le istruzioni per il posizionamento.
2. Installare l'*adattatore Eviva per GE* nel sistema GE Senographe DS.
3. Installare la *boccola Eviva per GE* nel supporto del guida ago inferiore del sistema GE Senographe DS.
4. Installare una guida dell'ago monouso adeguata, *Eviva_NG09R* o *Eviva_NG12R*, nella *boccola Eviva per GE*.
5. Assicurarsi di aver selezionato il dispositivo bioptico Eviva appropriato nel software GE Senographe DS Stereotaxy, prima di inviare l'oggetto target al sistema stereotassico. Il sistema bioptico Eviva selezionato deve corrispondere al dispositivo per biopsia utilizzato nella procedura.
6. Eseguire la procedura bioptica attenendosi alle istruzioni per l'uso del dispositivo per biopsia mammaria Eviva.
7. Pulire l'*adattatore Eviva per GE* e la *boccola Eviva per GE* attenendosi alle istruzioni sulla pulizia riportate alla pagina 11 del presente documento.

Impostazione di GE Senographe DS Stereotaxy per il dispositivo bioptico Eviva con accesso dal braccio laterale

Programmare il sistema stereotassico GE Senographe DS per un ago laterale, conformemente alle istruzioni fornite nel manuale dell'operatore del sistema stereotassico GE Senographe DS e ai passaggi riportati di seguito.

- a. Per "creare" gli aghi, selezionare "**LAT**" come tipo di ago. Il nome consigliato per l'ago è **ATEC-EvivaLAT**.
- b. Come *lunghezza (A)* immettere **107,8** mm per creare l'ago. Il diagramma sottostante illustra uno schema delle dimensioni.

NOTA: tale lunghezza garantisce che l'ago venga allineato alla guida dell'ago. Questa lunghezza è uguale per tutti i dispositivi Eviva e ATEC. Nel sistema non vengono inserite informazioni sulla lunghezza di ago, cavità (apertura) o estremità (spazio morto); pertanto, è necessario programmare un unico ago per tutti i dispositivi Eviva e ATEC. **Questa distanza non consente di controllare la profondità di inserimento dell'ago nella mammella.** La profondità di inserimento verrà controllata facendo avanzare il dispositivo per biopsia fino alla posizione consigliata nella tabella riportata a pagina 10.



Tutti i valori sopra indicati devono essere verificati con il dispositivo per biopsia Eviva appropriato, inoltre, il test necessario a garantire il target si trova in prossimità dell'apertura centrale del dispositivo bioptico. È necessario far avanzare il dispositivo per biopsia Eviva fino alla corretta posizione del dispositivo sulla barra dell'adattatore laterale. Vedere la tabella a pagina 10.

Esecuzione di una biopsia sterotassica mediante dispositivo bioptico Eviva nel sistema sterotassico GE Senographe DS con accesso dal braccio laterale

1. Impostazione del sistema sterotassico GE Senographe DS per l'accesso laterale mediante le apposite staffe. Vedere il manuale dell'operatore GE Senographe DS per le istruzioni per il posizionamento.
2. Installare l'*adattatore Eviva* nel sistema sterotassico GE Senographe DS.
3. Installare una guida dell'ago monouso adeguata, *Eviva_NG09R* o *Eviva_NG12R*, nel braccio laterale di GE Senographe DS.
4. Assicurarsi di aver selezionato il dispositivo bioptico Eviva appropriato (**ATEC-EvivaLAT**) nel software GE Senographe DS, prima di inviare l'oggetto target al sistema stereotassico.
5. Far avanzare il dispositivo bioptico Eviva nella posizione adeguata sulla barra dell'adattatore laterale. A tale proposito vedere la tabella sottostante.
6. Eseguire la procedura bioptica attenendosi alle istruzioni per l'uso del dispositivo per biopsia mammaria Eviva.
7. Pulire l'*adattatore Eviva* attenendosi alle istruzioni sulla pulizia riportate alla pagina 11 del presente documento.

	Eviva 0913-20 Eviva 1213-20	Eviva 0913-12	Eviva 0913-12T
Posizione corretta del dispositivo sulla barra dell'adattatore laterale (mm)	68	72	72
Tutti i valori sopra indicati devono essere verificati con il dispositivo per biopsia Eviva appropriato, inoltre, il test necessario a garantire il target si trova in prossimità dell'apertura centrale del dispositivo bioptico. È necessario far avanzare il dispositivo per biopsia Eviva fino alla corretta posizione del dispositivo sulla barra dell'adattatore laterale. Vedere la tabella in alto.			

Istruzioni per la pulizia per *adattatore Eviva*, *adattatore Eviva per GE*, *staffa dello specillo Eviva* e *boccola Eviva per GE*

1. Dopo aver completato la procedura di biopsia, sciacquare immediatamente l'*adattatore Eviva*, l'*adattatore Eviva per GE* e/o la *boccola Eviva per GE* con acqua calda.
2. Spruzzare un detergente su tutti i componenti.

L'uso dei seguenti prodotti detergenti È SCONSIGLIATO in quanto potrebbero danneggiare i componenti esposti:

- Detergenti a base di candeggina
 - Perossido di idrogeno
 - Tutti i detergenti/disinfettanti con un pH inferiore a 4 o superiore a 10
3. Lasciare al detergente il tempo necessario per la disinfezione completa dei componenti.
 4. Risciacquare con acqua calda.
 5. Asciugare con panno o carta.

© 2011, Hologic, Inc. Tutti i diritti riservati. Hologic e Eviva sono marchi di fabbrica e/o marchi di fabbrica depositati di Hologic, Inc. e/o sue filiali negli USA e/o negli altri paesi. Tutti gli altri marchi di fabbrica, marchi e nomi di prodotti depositati, citati all'interno del documento, sono di proprietà dei rispettivi produttori.

LEIA ANTES DE EXECUTAR O PROCEDIMENTO:

Este guia de configuração foi criado para ser utilizado em conjunto com as, e não em substituição das, instruções de utilização do dispositivo de biopsia mamária Eviva® e/ou o manual do operador do GE Senographe® Essential de estereotaxia e/ou o manual do operador do GE Senographe DS® de estereotaxia. Antes de executar o procedimento, o médico deve analisar e familiarizar-se com as instruções completas de funcionamento do dispositivo de biopsia mamária Eviva e do(s) sistema(s) GE. Consulte as instruções de utilização do dispositivo de biopsia mamária Eviva, o manual do operador do GE Senographe Essential de estereotaxia ou o manual do operador do GE Senographe DS de estereotaxia quanto às instruções completas de funcionamento, assim como todas as contra-indicações e informações de segurança. Foram conduzidos testes de verificação para garantir a precisão do dispositivo de biopsia Eviva no sistema de Estereotaxia GE Senographe DS e no sistema de Estereotaxia GE Senographe Essential. No entanto, os números de configuração aqui fornecidos servem apenas para efeitos de orientação. Os números de configuração têm de ser verificados no local com o respectivo dispositivo de biopsia Eviva antes de executar qualquer procedimento.

Guarde este guia de configuração. Note que apesar da Hologic actualizar frequentemente os conteúdos deste guia, as informações médicas e tecnológicas podem mudar rapidamente. Portanto, algumas das informações incluídas neste guia podem encontrar-se desactualizadas. A utilização destas instruções com qualquer outro produto para além dos produtos especificamente mencionados poderá provocar lesões no paciente e/ou danificar o equipamento.

Índice

Configuração do GE Senographe® <u>Essential</u> de Estereotaxia para o Dispositivo de Biopsia Eviva® com Abordagem <u>Vertical</u>	Página 69
Realizar uma Biopsia Estereotáxica utilizando o Dispositivo de Biopsia Eviva no Sistema de Estereotaxia GE Senographe <u>Essential</u> com Abordagem <u>Vertical</u>	Página 70
Configuração do GE Senographe <u>Essential</u> de Estereotaxia para o Dispositivo de Biopsia Eviva com Abordagem de <u>Braço Lateral</u>	Página 71
Realizar uma Biopsia Estereotáxica utilizando o Dispositivo de Biopsia Eviva no Sistema de Estereotaxia GE Senographe <u>Essential</u> com Abordagem de <u>Braço Lateral</u>	Página 72
Configuração do GE Senographe <u>DS</u> de Estereotaxia para o Dispositivo de Biopsia Eviva com Abordagem <u>Vertical</u>	Página 73
Realizar uma Biopsia Estereotáxica utilizando o Dispositivo de Biopsia Eviva no Sistema de Estereotaxia GE Senographe <u>DS</u> com Abordagem <u>Vertical</u>	Página 74
Configuração do GE Senographe <u>DS</u> de Estereotaxia para o Dispositivo de Biopsia Eviva com Abordagem de <u>Braço Lateral</u>	Página 75
Realizar uma Biopsia Estereotáxica utilizando o Dispositivo de Biopsia Eviva no Sistema de Estereotaxia GE Senographe <u>DS</u> com Abordagem de <u>Braço Lateral</u>	Página 76
Instruções de Limpeza para o Adaptador Eviva, Adaptador Eviva do GE Estilete de Suporte Eviva e Bucha Eviva do GE	Página 77

Configuração do GE Senographe® Essencial de Estereotaxia para o Dispositivo de Biopsia Eviva® com Abordagem Vertical

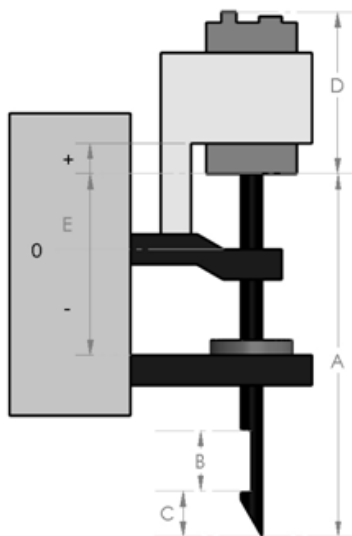
Programa o sistema de estereotaxia GE Senographe Essencial para o dispositivo de biopsia Eviva em conformidade com as instruções de configuração das agulhas fornecidas no manual do operador do GE Senographe Essencial de estereotaxia, em conjunto com os passos abaixo.

Ao "Criar" agulhas, seleccione "**VAD com suporte para agulha**" para o tipo de agulha. Utilize as dimensões fornecidas na tabela abaixo. O diagrama abaixo da tabela apresenta um esquema das dimensões.

NOTA: Não seleccione "**CB**" porque isto irá levar a que a agulha se desloque até uma profundidade incorrecta.

	Eviva 0910-20 Eviva 1210-20	Eviva 0910-12	Eviva 0910-12T
Nome Recomendado no Software	Eviva XX10-20ver	Eviva 0910-12ver	Eviva 0910-12Tver
A (mm)	101,0	97,2	101,0
B (mm)	20	12	12
C (mm)	8	4	8
D (mm)	260	260	260
E (mm)	-16,4	-16,4	-16,4

Todos os valores introduzidos acima terão de ser verificados com o dispositivo de biopsia Eviva correcto e teste aplicável para garantir que o alvo está próximo do centro da abertura do dispositivo de biopsia.



Realizar uma Biopsia Estereotáxica utilizando o Dispositivo de Biopsia Eviva no Sistema de Estereotaxia GE Senographe Essential com Abordagem Vertical

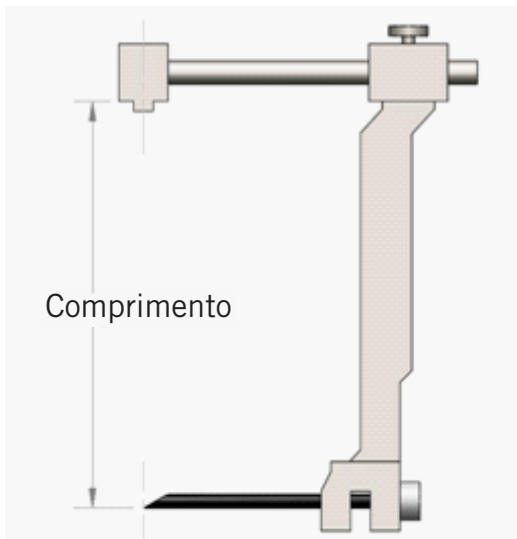
1. Configuração do sistema de estereotaxia GE Senographe Essential para a abordagem vertical utilizando o(s) suporte(s) correcto(s). Consulte o manual do operador do sistema de estereotaxia GE Senographe Essential para as instruções de configuração.
2. Instale o *Adaptador Eviva do GE* no sistema de estereotaxia GE Senographe Essential.
3. Instale a *Bucha Eviva do GE* no suporte inferior do guia da agulha do sistema de estereotaxia GE Senographe Essential.
4. Instale o guia da agulha descartável correcto, *Eviva_NG09R* ou *Eviva_NG12R*, na *Bucha Eviva do GE*.
5. Assegure que é seleccionado o dispositivo de biopsia Eviva correcto no software de estereotaxia do GE Senographe Essential antes de enviar o alvo para o sistema estereotáxico. O dispositivo de biopsia Eviva seleccionado deve corresponder ao dispositivo de biopsia que se encontra a ser utilizado no procedimento.
6. Execute o procedimento de biopsia conforme as instruções de utilização do dispositivo de biopsia mamária Eviva.
7. Limpe o *Adaptador Eviva do GE* e a *Bucha Eviva do GE* de acordo com as instruções de limpeza mencionadas na página 11 deste documento.

Configuração do GE Senographe Essencial de Estereotaxia para o Dispositivo de Biopsia Eviva com Abordagem de Braço Lateral

Programa o sistema de estereotaxia GE Senographe Essencial para uma agulha lateral em conformidade com as instruções fornecidas no manual do operador do GE Senographe Essencial de estereotaxia, em conjunto com os passos abaixo.

- a. Ao "Criar" agulhas, seleccione "**LAT**" para o tipo de agulha. O nome recomendado da agulha é **ATEC-EvivaLAT**.
- b. Para o *Comprimento (A)* introduza **107,8** mm para criar a agulha. O diagrama abaixo apresenta um esquema das dimensões.

NOTA: Este comprimento assegura que a agulha estará alinhada com o guia da agulha. Este comprimento é comum para todos os dispositivos Eviva e ATEC. Não são introduzidas no sistema informações sobre o comprimento da agulha, passagem (abertura) ou fim (espaço morto); portanto, é apenas necessário programar uma agulha para todos os dispositivos Eviva e ATEC actuais. **Esta distância não controla a profundidade de inserção mamária da agulha.** A profundidade de inserção será controlada pelo avanço do dispositivo de biopsia até à posição recomendada na tabela na página 6.



Todos os valores introduzidos acima terão de ser verificados com o dispositivo de biopsia Eviva correcto e teste aplicável para garantir que o alvo está próximo do centro da abertura do dispositivo de biopsia. O dispositivo de biopsia Eviva terá de avançar até à posição correcta do dispositivo na barra do adaptador lateral. Consulte a tabela na página 6

Realizar uma Biopsia Estereotáxica utilizando o Dispositivo de Biopsia Eviva no Sistema de Estereotaxia GE Senographe Essential com Abordagem de Braço Lateral

1. Configuração do sistema de estereotaxia GE Senographe Essential para a abordagem lateral utilizando o(s) suporte(s) correcto(s). Consulte o manual do operador do sistema de estereotaxia GE Senographe Essential para as instruções de configuração.
2. Instale o *Adaptador Eviva* no sistema de estereotaxia GE Senographe Essential.
3. Instale o guia da agulha descartável correcto, *Eviva_NG09R* ou *Eviva_NG12R*, no braço lateral do GE Senographe Essential.
4. Assegure que é seleccionada a agulha Eviva correcta (**Atec-EvivaLAT**) no software de estereotaxia do GE Senographe Essential antes de enviar o alvo para o sistema estereotáxico.
5. Faça avançar o dispositivo de biopsia Eviva até à posição correcta na barra lateral do adaptador. Consulte a tabela abaixo para esta posição.
6. Execute o procedimento de biopsia conforme as instruções de utilização do dispositivo de biopsia mamária Eviva.
7. Limpe o *Adaptador Eviva* de acordo com as instruções de limpeza mencionadas na página 11 deste documento.

	Eviva 0913-20 Eviva 1213-20	Eviva 0913-12	Eviva 0913-12T
Posição Correcta do Dispositivo na Barra do Adaptador Lateral (mm)	68	72	72
Todos os valores introduzidos acima terão de ser verificados com o dispositivo de biopsia Eviva correcto e teste aplicável para garantir que o alvo está próximo do centro da abertura do dispositivo de biopsia. O dispositivo de biopsia Eviva terá de avançar até à posição correcta do dispositivo na barra do adaptador lateral. Consulte o gráfico acima.			

Configuração do GE Senographe DS de Estereotaxia para o Dispositivo de Biopsia Eviva com Abordagem Vertical

Programa o sistema de Estereotaxia GE Senographe DS para o dispositivo de biopsia Eviva em conformidade com as instruções de configuração das agulhas fornecidas no manual do operador do GE Senographe DS de estereotaxia, em conjunto com o passo abaixo.

Ao "Criar" agulhas, seleccione "**CB**" para o tipo de agulha. Utilize as dimensões fornecidas na tabela abaixo. O diagrama abaixo da tabela apresenta um esquema das dimensões.

NOTA: Para sistemas de estereotaxia GE Senographe DS com procedimentos actualizados de configuração de agulhas de biopsia, conforme consta no manual do operador 5308544-3-C-1EN ou posterior, consulte a Configuração do GE Senographe Essencial de Estereotaxia para o Dispositivo de Biopsia Eviva com Abordagem Vertical na página 3 deste documento para instruções completas de configuração de agulhas.

	Eviva 0910-20 Eviva 1210-20	Eviva 0910-12	Eviva 0910-12T
Nome Recomendado no Software	Eviva XX10-20ver	Eviva 0910-12ver	Eviva 091012Tver
A (mm)	121,6	117,6	121,6
B (mm)	20	12	12
C (mm)	8	4	8
Todos os valores introduzidos acima terão de ser verificados com o dispositivo de biopsia Eviva correcto e teste aplicável para garantir que o alvo está próximo do centro da abertura do dispositivo de biopsia.			



Realizar uma Biopsia Estereotóxica utilizando o Dispositivo de Biopsia Eviva no Sistema de Estereotaxia GE Senographe DS com Abordagem Vertical

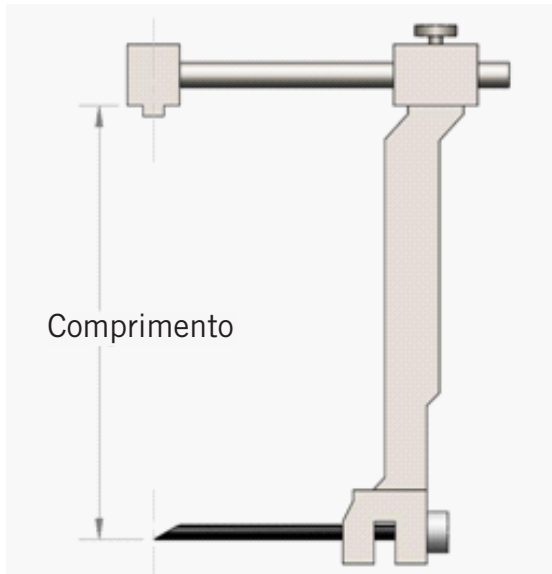
1. Configuração do sistema de estereotaxia GE Senographe DS para a abordagem vertical utilizando o(s) suporte(s) correcto(s). Consulte o manual do operador do GE Senographe DS para as instruções de configuração.
2. Instale o *Adaptador Eviva do GE* no sistema de estereotaxia GE Senographe DS.
3. Instale a *Bucha Eviva do GE* no suporte inferior do guia da agulha do sistema de estereotaxia GE Senographe DS.
4. Instale o guia da agulha descartável correcto, *Eviva_NG09R* ou *Eviva_NG12R*, na *Bucha Eviva do GE*.
5. Assegure que é seleccionado o dispositivo de biopsia Eviva correcto no software de estereotaxia do GE Senographe DS antes de enviar o alvo para o sistema estereotáxico. O dispositivo de biopsia Eviva seleccionado deve corresponder ao dispositivo de biopsia que se encontra a ser utilizado no procedimento.
6. Execute o procedimento de biopsia conforme as instruções de utilização do dispositivo de biopsia mamária Eviva.
7. Limpe o *Adaptador Eviva do GE* e a *Bucha Eviva do GE* de acordo com as instruções de limpeza mencionadas na página 11 deste documento.

Configuração do GE Senographe DS de Estereotaxia para o Dispositivo de Biopsia Eviva com Abordagem de Braço Lateral

Programa o sistema de estereotaxia GE Senographe DS para uma agulha lateral em conformidade com as instruções fornecidas no manual do operador do GE Senographe DS de Estereotaxia, em conjunto com os passos abaixo.

- a. Ao "Criar" agulhas, seleccione "**LAT**" para o tipo de agulha. O nome recomendado da agulha é **ATEC-EvivaLAT**.
- b. Para o *Comprimento (A)* introduza **107,8** mm para criar a agulha. O diagrama abaixo apresenta um esquema das dimensões.

NOTA: Este comprimento assegura que a agulha estará alinhada com o guia da agulha. Este comprimento é comum para todos os dispositivos Eviva e ATEC. Não são introduzidas no sistema informações sobre o comprimento da agulha, passagem (abertura) ou fim (espaço morto); portanto, é apenas necessário programar uma agulha para todos os dispositivos Eviva e ATEC actuais. **Esta distância não controla a profundidade de inserção mamária da agulha.** A profundidade de inserção será controlada pelo avanço do dispositivo de biopsia até à posição recomendada na tabela na página 10.



Todos os valores introduzidos acima terão de ser verificados com o dispositivo de biopsia Eviva correcto e teste aplicável para garantir que o alvo está próximo do centro da abertura do dispositivo de biopsia. O dispositivo de biopsia Eviva terá de avançar até à posição correcta do dispositivo na barra do adaptador lateral. Consulte a tabela na página 10.

Realizar uma Biopsia Estereotáxica utilizando o Dispositivo de Biopsia Eviva no Sistema de Estereotaxia GE Senographe DS com Abordagem de Braço Lateral

1. Configuração do sistema de estereotaxia GE Senographe DS para a abordagem lateral utilizando o(s) suporte(s) correcto(s). Consulte o manual do operador do GE Senographe DS para as instruções de configuração.
2. Instale o *Adaptador Eviva* no sistema de estereotaxia GE Senographe DS.
3. Instale o guia da agulha descartável correcto, *Eviva_NG09R* ou *Eviva_NG12R*, no braço lateral do GE Senographe DS.
4. Assegure que é seleccionado o dispositivo de biopsia Eviva correcto (**ATEC-EvivaLAT**) no software de estereotaxia do GE Senographe DS antes de enviar o alvo para o sistema estereotáxico.
5. Faça avançar o dispositivo de biopsia Eviva até à posição correcta na barra lateral do adaptador. Consulte a tabela abaixo para esta posição.
6. Execute o procedimento de biopsia conforme as instruções de utilização do dispositivo de biopsia mamária Eviva.
7. Limpe o *Adaptador Eviva* de acordo com as instruções de limpeza mencionadas na página 11 deste documento.

	Eviva 0913-20 Eviva 1213-20	Eviva 0913-12	Eviva 0913-12T
Posição Correcta do Dispositivo na Barra do Adaptador Lateral (mm)	68	72	72
Todos os valores introduzidos acima terão de ser verificados com o dispositivo de biopsia Eviva correcto e teste aplicável para garantir que o alvo está próximo do centro da abertura do dispositivo de biopsia. O dispositivo de biopsia Eviva terá de avançar até à posição correcta do dispositivo na barra do adaptador lateral. Consulte a tabela acima.			

Instruções de Limpeza para o *Adaptador Eviva*, *Adaptador Eviva do GE*, *Suporte do Estilete Eviva* e *Bucha Eviva do GE*

1. Depois de finalizar o procedimento de biopsia, enxagúe imediatamente o *Adaptador Eviva*, o *Adaptador Eviva do GE*, e/ou a *Bucha Eviva do GE* com água morna.
2. Pulverize todos os componentes com um elemento de limpeza

Os produtos de limpeza seguintes NÃO SÃO RECOMENDADOS uma vez que podem danificar os componentes expostos:

- Agentes de limpeza com base em lixívia
 - Peróxido de Hidrogénio
 - Quaisquer elementos de limpeza/desinfetantes com um pH inferior a 4 ou superior a 10
3. Deixe que passe o tempo necessário para o elemento de limpeza escolhido desinfetar os componentes.
 4. Enxagúe com água morna.
 5. Limpe até ficar seco com um pano ou toalha de papel.

© 2011 Hologic, Inc. Todos os Direitos Reservados. Hologic e Eviva são marcas comerciais e/ou marcas comerciais registadas da Hologic, Inc. e/ou respectivas subsidiárias nos Estados Unidos e/ou noutros países. Todas as outras marcas comerciais, marcas comerciais registadas e nomes de produtos utilizados com este documento são da propriedade do seu respectivo proprietário.

