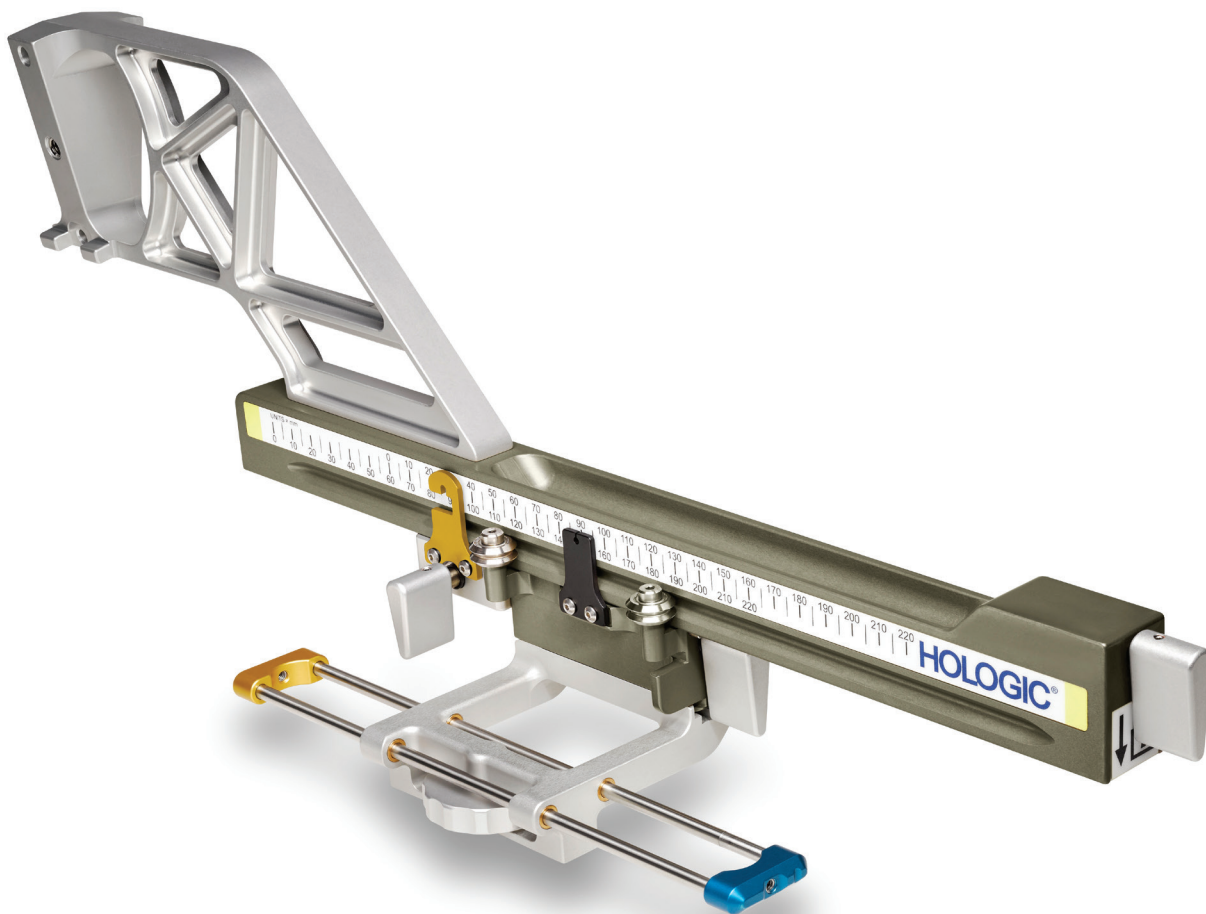


Hologic Affirm[®]

Lateral Arm Upright Biopsy Accessory

Optimize your approach. Now you can confidently target challenging lesions and successfully biopsy thinly compressed breasts with the Hologic[®] Affirm[®] lateral arm upright biopsy accessory for the Affirm[®] upright biopsy guidance system. **This versatile, easy-to-use device** enables needle access parallel to the detector – from either the lateral left or lateral right position. So you can choose the optimal approach based on each patient's anatomy and lesion location to accelerate and simplify biopsy procedures.



Easy lesion access.

Improve lesion access for thinly compressed breasts (<3 cm) by approaching the lesion perpendicular to the direction of compression. This provides sufficient room to access the lesion and fire the needle parallel to the detector – without impacting the compression platform or penetrating the breast in many cases.



Flexible patient positioning.

Positioning patients in constrained spaces is always a challenge. The Affirm[®] lateral arm offers a number of options in biopsy rooms where decubitus positioning or rotating the C-arm may not be possible. Patients can often remain seated without sacrificing lesion accessibility.

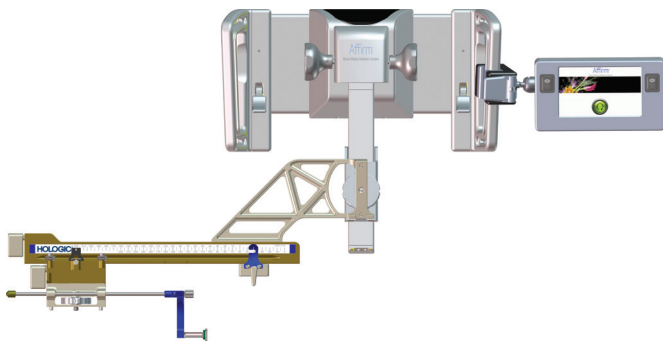


Intuitive needle visualization.

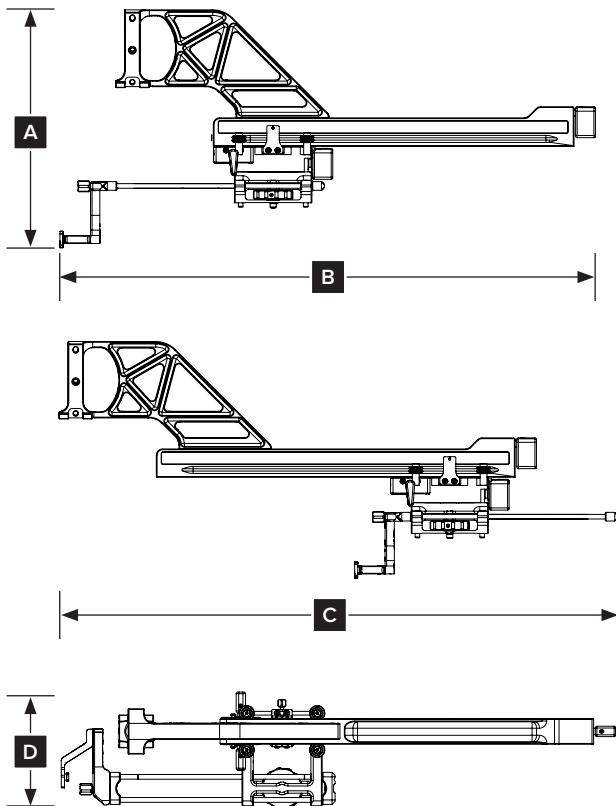
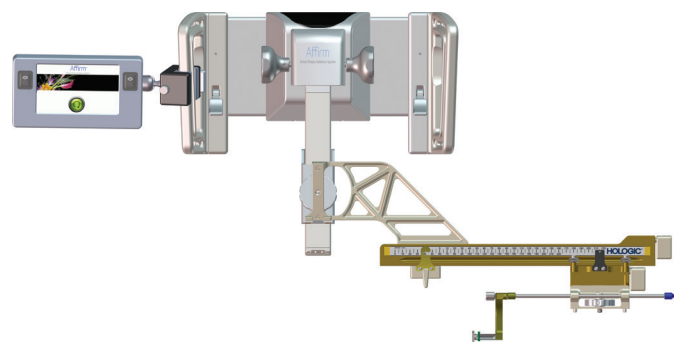
Experience improved 3D[™] visualization of the biopsy needle in the breast with virtually no imaging artifacts like found in the standard approach. By presenting the needle parallel to the detector, it's easier to see the needle aperture and more intuitive to make adjustments.

The choice is yours. The Affirm® lateral arm can be mounted to the biopsy guidance module from either the left or the right side. Simply determine the desired approach, mount the lateral arm, and follow the on-screen prompts.

Left Approach of Lateral Arm



Right Approach of Lateral Arm



Lateral Arm – Specifications

A. Height	24.4 cm (9.6 inches)
B. Width (biopsy device mount and needle guide extended toward lateral arm mount)	53.0 cm (20.9 inches)
C. Width (biopsy device mount and needle guide extended away from lateral arm mount)	57.4 cm (22.6 inches)
D. Depth	11.5 cm (4.5 inches)
E. Weight	1.24 kg (2.73 pounds)

Lateral Arm – Range of Motion

Accuracy of biopsy guidance module and lateral arm	Maximum deviation: 1 mm in either direction of target coordinate
Combined accuracy of biopsy guidance module, lateral arm, and biopsy device	Maximum deviation: 2 mm in either direction of target coordinate
Range of movement	Lateral X-axis: 22 cm

NOTE: Maximum permitted device weight for devices used on Lateral Arm (excluding external lines and hoses) is 3.0lbs [1.36kg].

www.hologic.com | info@hologic.com | +1.781.999.7300

Hologic Headquarters
United States / Latin America
 250 Campus Drive
 Marlborough, MA 01752
 USA Tel: +1.508.263.2900
 Sales: +1.781.999.7453
 Fax: +1.781.280.0668
 Email: info@hologic.com

Hologic Europe
 The Corporate Village
 Da Vincilaan 5
 Building Caprese,
 8th floor
 1935 Zaventem, Belgium
 Tel: +32.2.711.4680
 Fax: +32.2.725.2087

Hologic Asia Pacific
 7th Floor, Biotech Centre 2
 No. 11 Science Park West Avenue
 Hong Kong Science Park
 Shatin, New Territories, Hong Kong
 Tel: +852.3748.7700
 Fax: +852.3526.0723

Hologic Australia
 Suite 402, Level 4
 2 Lyon Park Road
 Macquarie Park NSW 2113
 Australia
 Tel: +61.2.9888.8000
 Fax: +61.2.9870.7555

DS-09246 Rev.003 (8/17) Hologic Inc. ©2017 All rights reserved. Hologic, 3D, 3D Mammography, Affirm, Dimensions, Eviva, Selenia, The Science of Sure, and associated logos are trademarks and/or registered trademarks of Hologic, Inc., and/or its subsidiaries in the United States and/or other countries. This information is intended for medical professionals in the U.S. and other markets and is not intended as a product solicitation or promotion where such activities are prohibited. Because Hologic materials are distributed through websites, eBroadcasts and tradeshows, it is not always possible to control where such materials appear. For specific information on what products are available for sale in a particular country, please contact your local Hologic representative.