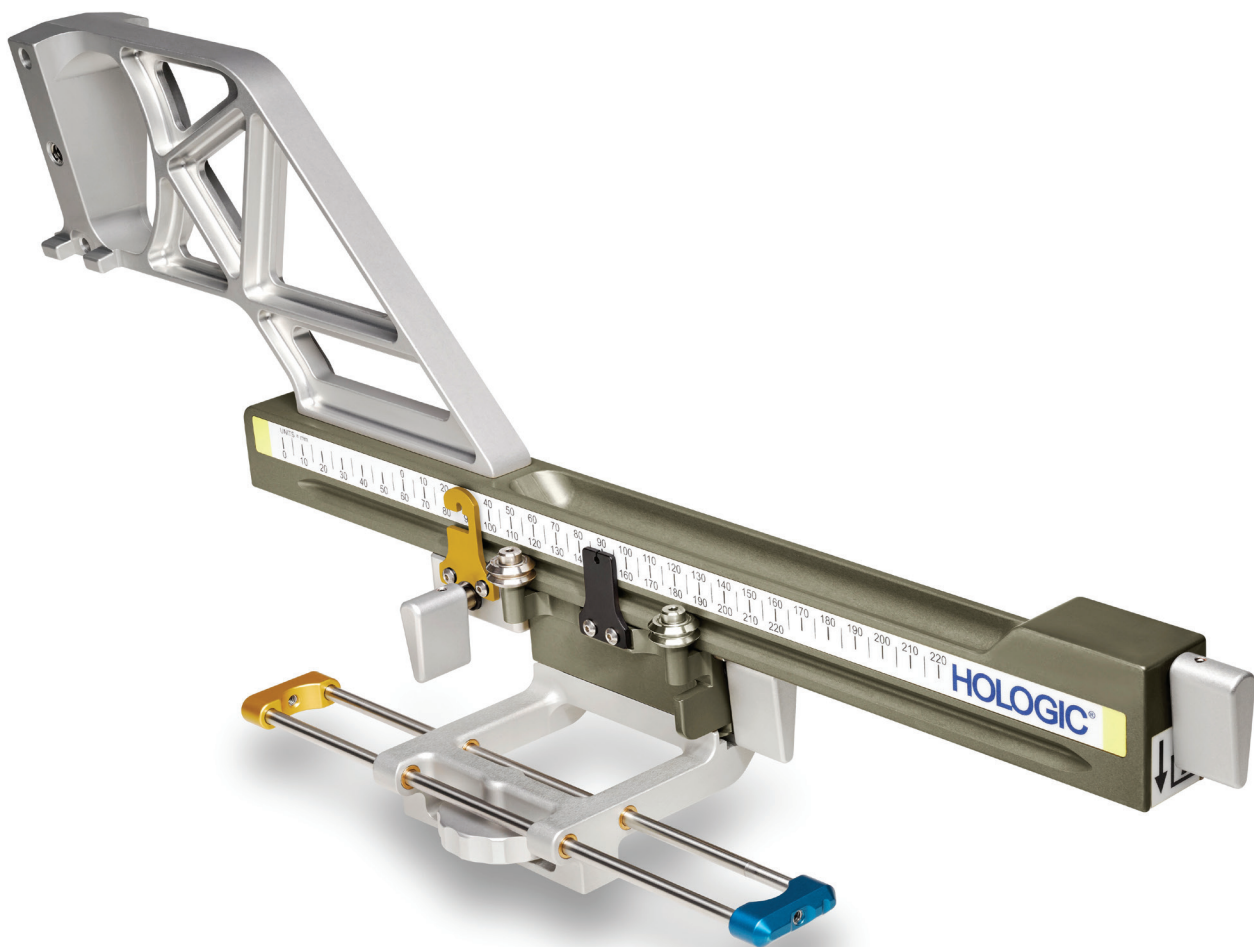


Hologic Affirm® Lateral Arm Upright Biopsy Accessory

Optimise your approach. Now you can confidently target challenging lesions and successfully biopsy thinly compressed breasts with the Hologic Affirm® lateral arm upright biopsy accessory for the Affirm upright biopsy guidance system. This versatile, easy-to-use device enables needle access parallel to the detector – from either the lateral left or lateral right position. So you can choose the optimal approach based on each patient’s anatomy and lesion location to accelerate and simplify biopsy procedures. **This versatile, easy-to-use device** enables needle access parallel to the detector – from either the lateral left or lateral right position. So you can choose the optimal approach based on each patient’s anatomy and lesion location to accelerate and simplify biopsy procedures.



Easy lesion access.

Improve lesion access for thinly compressed breasts by approaching the lesion perpendicular to the direction of compression. This provides sufficient room to access the lesion and fire the needle parallel to the detector – without impacting the compression platform or penetrating the breast in many cases.



Flexible patient positioning.

Positioning patients in constrained spaces is always a challenge. The Affirm lateral arm offers a number of options in biopsy rooms where decubitus positioning or rotating the C-arm may not be possible. Patients can often remain seated without sacrificing lesion accessibility.

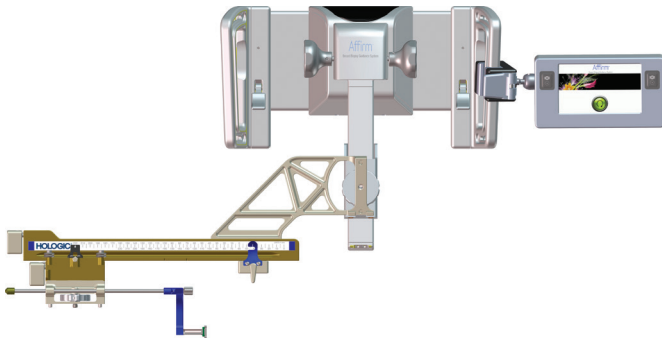


Intuitive needle visualisation.

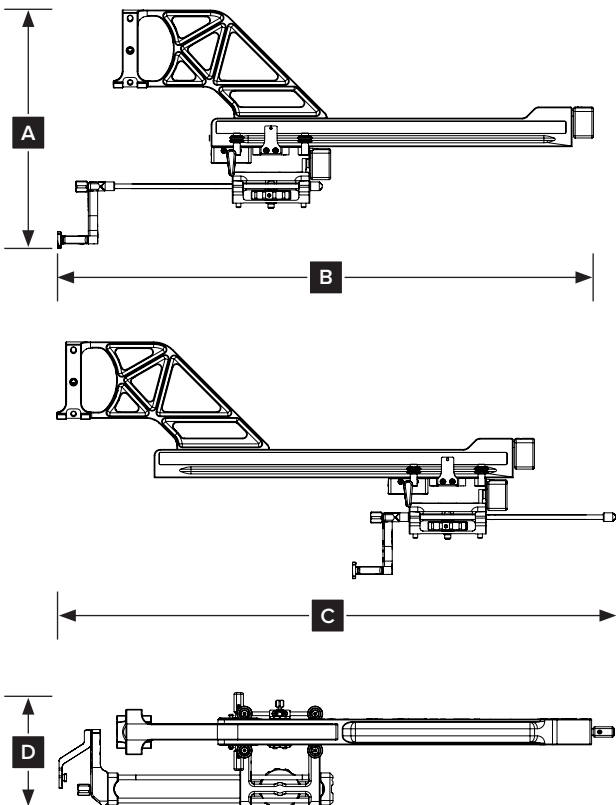
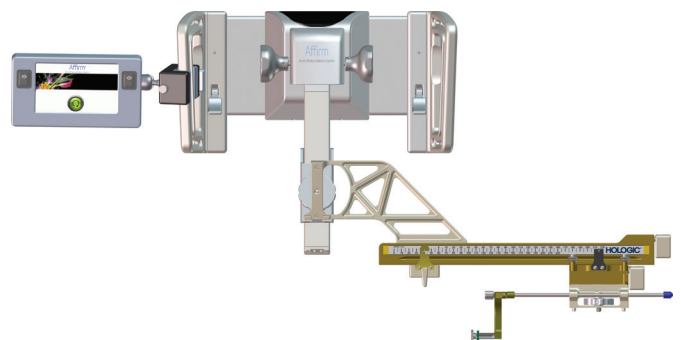
Experience improved 3D™ visualisation of the biopsy needle in the breast without imaging artifacts found in the standard approach. By presenting the needle parallel to the detector, it's easier to see the needle aperture and more intuitive to make adjustments.

The choice is yours. The Affirm® lateral arm can be mounted to the biopsy guidance module from either the left or the right side. Simply determine the desired approach, mount the lateral arm, and follow the on-screen prompts.

Left Approach of Lateral Arm



Right Approach of Lateral Arm



Lateral Arm – Specifications ¹	
A. Height	24.4 cm (9.6 inches)
B. Width (biopsy device mount and needle guide extended toward lateral arm mount)	53.0 cm (20.9 inches)
C. Width (biopsy device mount and needle guide extended away from lateral arm mount)	57.4 cm (22.6 inches)
D. Depth	11.5 cm (4.5 inches)
E. Weight	1.24 kg (2.73 pounds)

Lateral Arm – Range of Motion ¹	
Accuracy of biopsy guidance module and lateral arm	Maximum deviation: 1 mm in either direction of target coordinate
Combined accuracy of biopsy guidance module, lateral arm, and biopsy device	Maximum deviation: 2 mm in either direction of target coordinate
Range of movement	Lateral X-axis: 22 cm

NOTE: Maximum permitted device weight for devices used on Lateral Arm (excluding external lines and hoses) is 3.0lbs [1.36kg].²

References: 1. Hologic Data on File: VER-06941. 2. Hologic Data on File: DHM-05519.

Breast & Skeletal Health | Hologic.com | euinfo@hologic.com